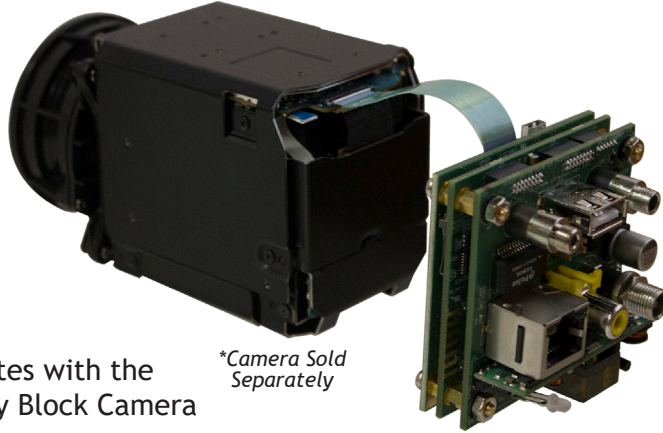




Z3
Technology®



*Camera Sold Separately

- Natively integrates with the FCB-ER8300 Sony Block Camera
- Pass VISCA™ Camera Control Commands over IP, ONVIF® Profile S
- High Quality Efficient H.265/HEVC Video Encoding
- Low Bandwidth, Low Latency Video Encoding
- Easy-to-Use HTTP-Based Control Interface

The HE4K-DCK-10 is a compact encoder system designed to enhance Sony's 4K FCB-ER8300 Block Camera. The hardware consists of encoder boards capable of encoding H.265/HEVC video in HD and Ultra-HD resolutions. The boards feature on-board interfaces including GigE, USB 2.0, RS-485, Microphone Input and Composite Out. These features combined with the existing capabilities of the Sony Block Camera allow for a complete compact HEVC 4K video encoding solution. Users are able to purchase the HE4K-DCK-10 as an OEM starter kit or a complete package that includes an optional enclosure for the entire solution.

Technical

Interfaces	Video from Sony FCB-ER8300 via KEL ribbon cable ¹ , GigE, USB 2.0, Microphone Input, RS-232, RS-485, Composite Output and Optional Micro HDMI Input*
Video Codecs	H.265/HEVC, H.264 and MJPEG
Encoding Resolutions	4K UHD & HD up to 30 fps(2160p, 1080p, 720p & lower)
Output Formats	RTP, RTSP, MPEG-2 TS and RTMP ²
Features	<ul style="list-style-type: none"> • Low latency, Low Power • Pass VISCA™ Camera Control Commands over IP • ONVIF® Profile S with Media Services 2.0 • Simultaneous encode of H.265/HEVC and H.264 • Power over Ethernet (PoE) • Optional Chassis for Camera and Encoder Board* • Compatible with ZEUS® HE4K-01 Decoder²

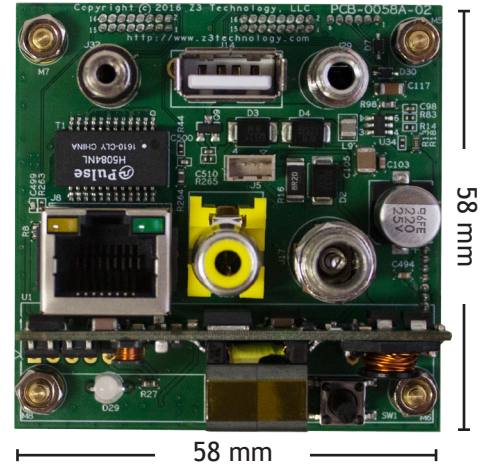
¹ KEL ribbon cable sold separately
² In H.264 mode only

Specifications

Encoder Board Size	58 x 58 mm (2.28 x 2.28 in)
Power Consumption	4.5W typical while encoding H.265/HEVC video in 2160p30

HE4K-DCK-10

*Actual Size



ORDERING OPTIONS

HE4K-DCK-10 OEM Production Set

- HE4K-DCK-10 Encoder Boards
- Documentation

Note: Sony FCB-ER8300 Camera Block and KEL Ribbon Cable sold separately*

HE4K-DCK-RPS OEM Starter Kit

- HE4K-DCK-10 Encoder Boards
- KEL Ribbon Cable
- Power Supply
- SDK
- Documentation

Note: Sony FCB-ER8300 Camera Block sold separately*

Z3Cam-4K™ Complete Solution

- HE4K-DCK-10 Encoder Boards
- KEL Ribbon Cable
- Power Supply
- Enclosure, PoE and Camera Block
- Documentation

APPLICATIONS

- Security and Surveillance
- Industrial Applications
- Medical Applications
- Customized Applications*

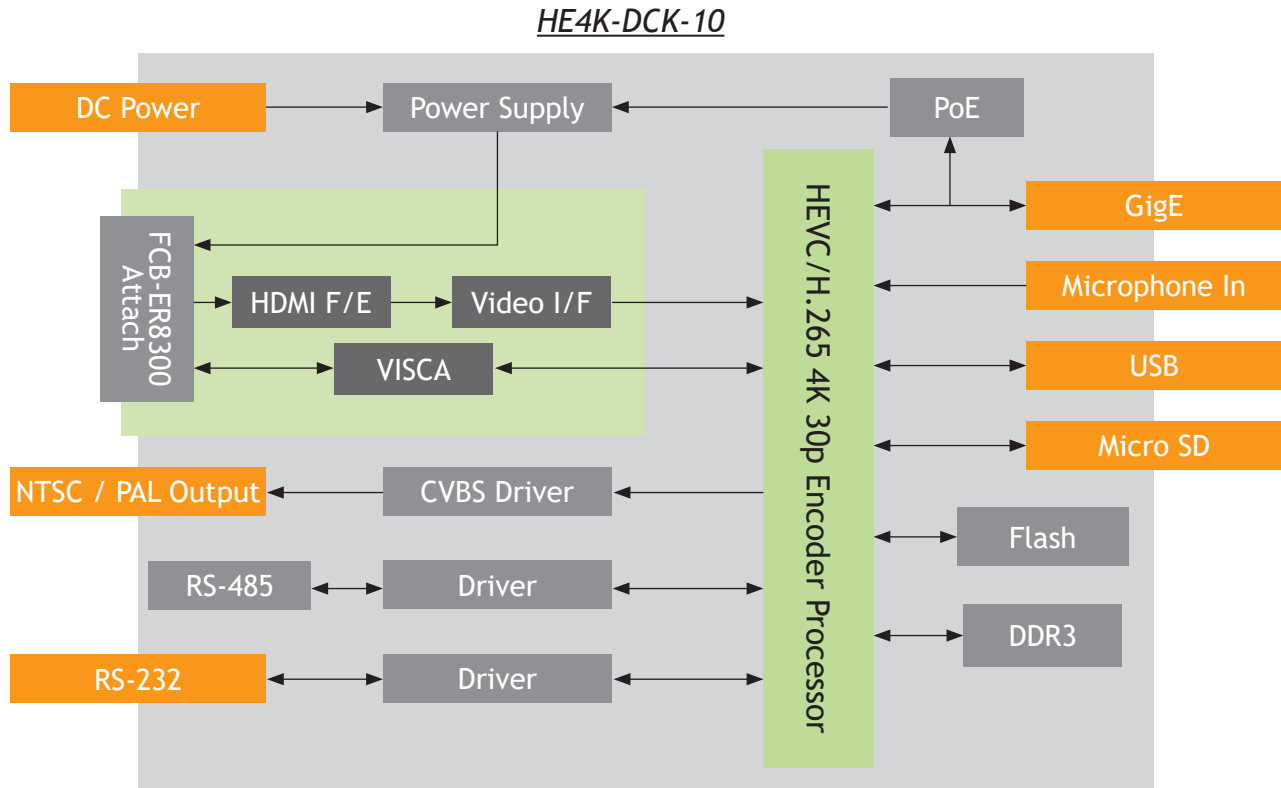


*Contact Z3 Technology for Customized Product Options

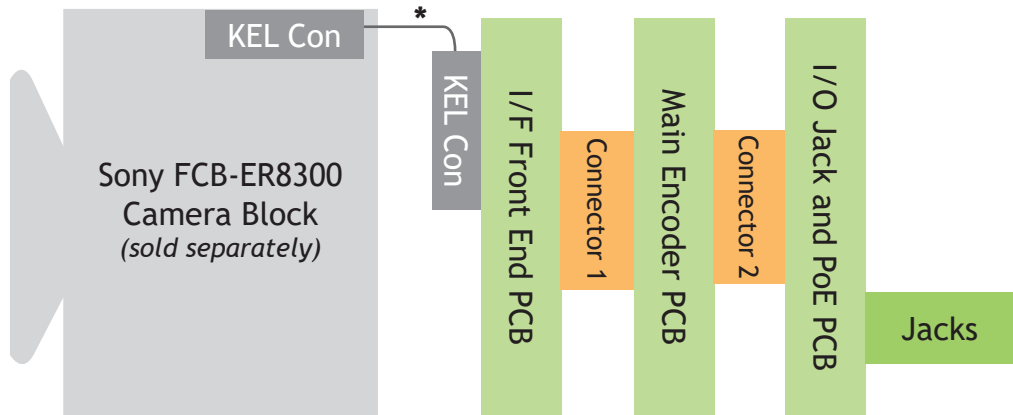
sales@Z3technology.com

+1.402.323.0702

www.Z3technology.com



HE4K-DCK-RPS Physical



*KEL ribbon cable sold separately

***Contact Z³ Technology for Customized Product Options**
sales@Z3technology.com +1.402.323.0702 www.Z3technology.com



Z³ Technology is an industry-leading, USA-based manufacturer of production-ready embedded multimedia solutions and IP camera systems. From our founders to our world-class engineers to our sales and customer service team, we understand your requirements and speak your language. Our experience allows us to provide cost-effective solutions to meet your multimedia product requirements. With the assistance of our robust worldwide distribution and sales networks, we can provide a simple solution for your multimedia needs.

