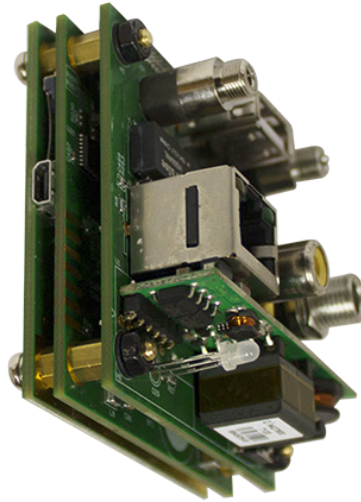




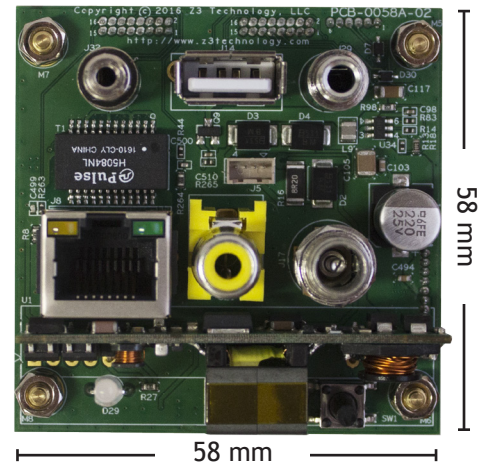
**Z3**  
Technology®

- Natively Integrates with the FCB-EV7520 Sony Block Camera
- Pass VISCA™ Camera Control Commands Over IP, ONVIF® Profile S
- High Quality Efficient H.265/HEVC Video Encoding
- Low Bandwidth, Low Latency Video Encoding
- Easy-to-Use HTTP-Based Control Interface



# HE2K-DCK-10

\*Actual Size



The HE2K-DCK-10 is a compact encoder system designed to enhance Sony's FCB-EV7520 Block Camera. The hardware consists of encoder boards capable of encoding H.265/HEVC and H.264 video in HD resolutions. The boards feature on-board interfaces including GigE, USB 2.0, RS-485, Audio Input, Micro-HDMI Output and Composite Output. These features combined with the existing capabilities of the Sony Block Camera allow for a complete compact HEVC HD video encoding solution. Users are able to purchase the HE2K-DCK-10 as an OEM starter kit or a complete package that includes an optional enclosure for the entire solution.

## Technical

Interfaces	Video from Sony FCB-EV7520 via KEL ribbon cable <sup>1</sup> , GigE, USB 2.0, Audio Input, RS-232, RS-485, Micro-HDMI Output, Composite Output
Video Codecs	H.265/HEVC, H.264 and MJPEG
Encoding Resolutions	60, 59.94, 50, 30, 29.97, 25 @1080p and 720p
Output Formats	RTP, RTSP, MPEG-2 TS and RTMP <sup>2</sup>
Features	<ul style="list-style-type: none"> <li>• Low Latency, Low Power</li> <li>• Ability to Resize 1920x1080 Camera Input to Lower Resolutions Keeping Full Field of View</li> <li>• Pass VISCA™ Camera Control Commands over IP</li> <li>• ONVIF® Profile S Compliant</li> <li>• Simultaneous encode of H.265/HEVC and H.264</li> <li>• Power over Ethernet (PoE)</li> <li>• Optional Chassis for Camera and Encoder Board*</li> <li>• Compatible with ZEUS® Video Decoders<sup>2</sup></li> </ul>

<b>Specifications</b>	
Encoder Board Size	58 x 58 mm (2.28 x 2.28 in)
Power Consumption	4.5W typical while encoding H.265/HEVC video in 1080p60

<sup>1</sup>KEL ribbon cable sold separately  
<sup>2</sup>in H.264 mode only

## ORDERING OPTIONS

### HE2K-DCK-10 OEM Production Set

- HE2K-DCK-10 Encoder Boards

Note: Sony FCB-EV7520 Camera Block and KEL ribbon cable sold separately\*

### HE2K-DCK-RPS OEM Starter Kit

- HE2K-DCK-10 Encoder Boards
- KEL Ribbon Cable
- Power Supply
- Software Design
- Documentation

Note: Sony FCB-EV7520 Camera Block sold separately\*

### Z3Cam-HD™ Complete Solution

- HE2K-DCK-10 Encoder Boards
- KEL Ribbon Cable
- Power Supply
- Enclosure, PoE and Camera Block
- Documentation

## APPLICATIONS

- UAV and Drones
- Inspection
- Remote Monitoring
- Security and Surveillance
- Video Conferencing
- Customized Applications\*

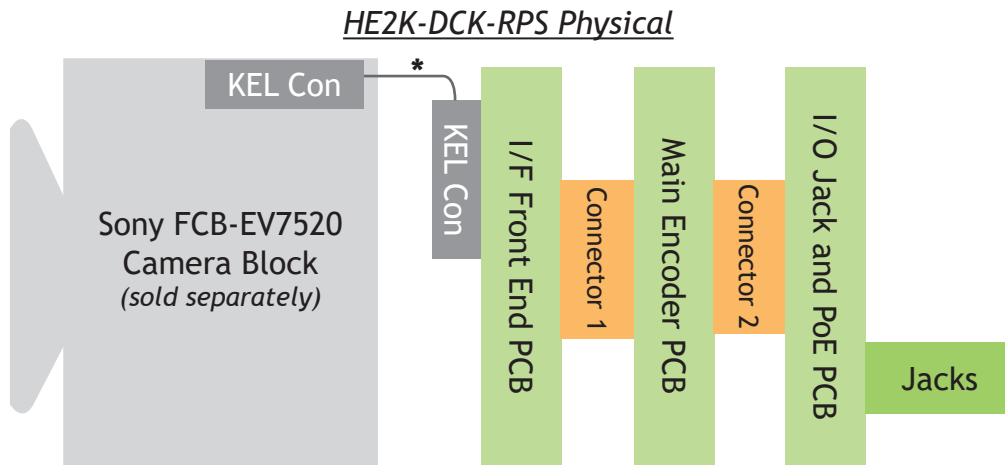
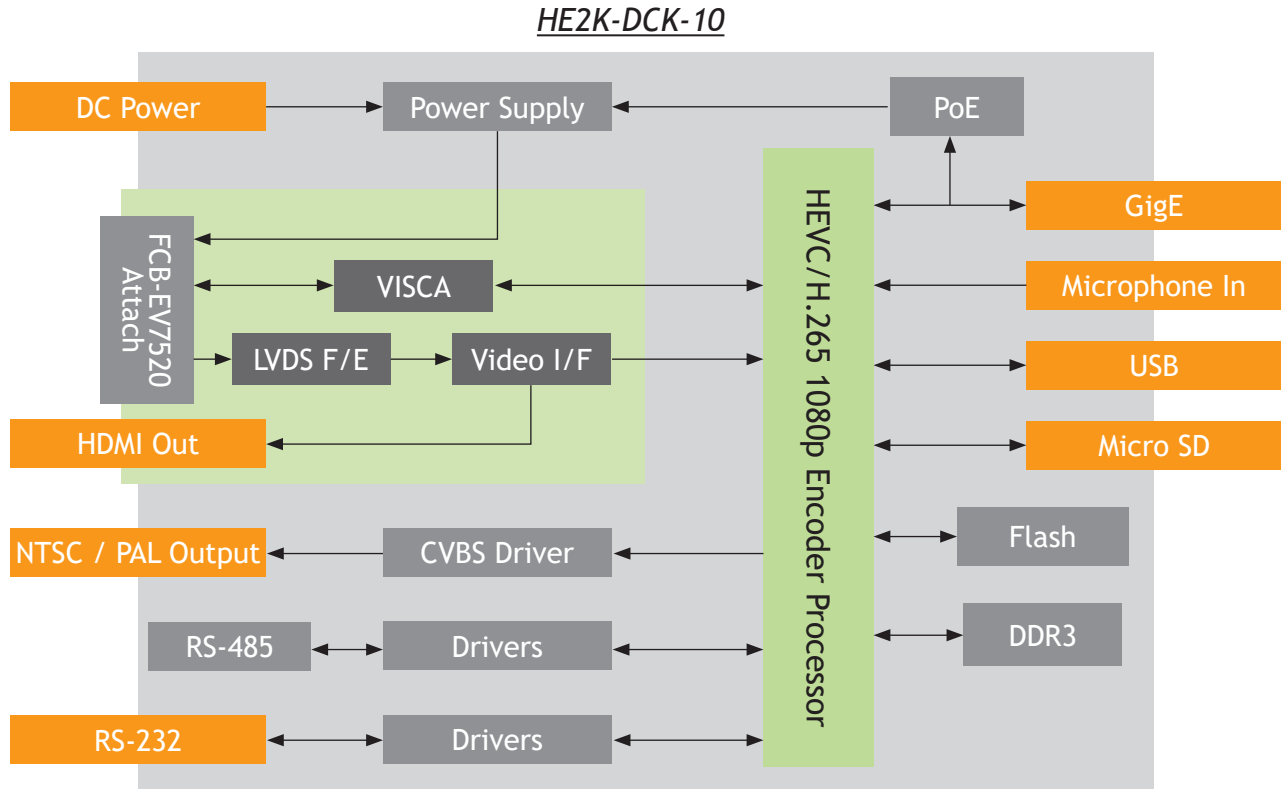


\*Contact Z3 Technology for Customized Product Options

sales@Z3technology.com

+1.402.323.0702

www.Z3technology.com



*\*KEL ribbon cable sold separately*

**\*Contact Z<sup>3</sup> Technology for Customized Product Options**  
[sales@Z3technology.com](mailto:sales@Z3technology.com)    +1.402.323.0702    [www.Z3technology.com](http://www.Z3technology.com)



Z<sup>3</sup> Technology is an industry-leading, USA-based manufacturer of production-ready embedded multimedia solutions and IP camera systems. From our founders to our world-class engineers to our sales and customer service team, we understand your requirements and speak your language. Our experience allows us to provide cost-effective solutions to meet your multimedia product requirements. With the assistance of our robust worldwide distribution and sales networks, we can provide a simple solution for your multimedia needs.

