

Z3Cam-DX

Dual Spectrum Camera



The Z3Cam-DX offers a distinctive combination of 4K Visible Video and Thermal imaging providing detailed situational awareness. The Z3Cam-DX combines video compression expertise from Z3 Technology with Sony's worldwide leading 4K camera technology and DRS Tamarisk's renown thermal imaging. Independently and remotely control both the 4K and thermal camera while recording and simultaneously monitoring the streams in dual or Picture-in-Picture mode. Low Latency video encoding and streaming allow for the Z3Cam-DX to be used for a variety of use cases including Industrial Applications, Intelligent Monitoring Applications, and Military Surveillance Requirements. The Z3Cam-DX brings 4K visible imaging with high contrast thermal imaging into one dynamic pairing.

FEATURES

- Real-Time Dual Camera Streaming
- 40x zoom using Sony's patented Super Resolution Zoom
- High Contrast Thermal Imaging
- Supports Sony VISCA™ camera control and DRS Tamarisk camera control simultaneously

APPLICATIONS

- Industrial
- Surveillance
- Military
- Custom Applications

VISIBLE CAMERA FEATURES

- 1/2.3in 4K CMOS image sensor
- Image capture up to 8.51 mega pixels
- 30x zoom in 2160p30 using Sony's patented Super Resolution zoom
- 40x zoom in 1080p30
- Noise reduction algorithm for high frequency and high detail areas
- Auto ICR to transition from Day to Low light mode
- Visibility enhancer and defog mode
- High sensitivity image processor and wide dynamic range
- Leverages Sony's FCB-ER8530 4K camera module

THERMAL CAMERA FEATURES

- High contrast thermal imaging camera
- Integrated Shutter for imaging calibration
- Supports 320 x 240 resolution
- Digital Video
- Pass Tamarisk control commands over IP via Web GUI or SSH
- Serial RS-232 control also available
- Image control Wht Hot, Blk Hot, Invert Revert
- Image contrast enhancement
- Leverages DRS Tamarisk camera module

CONTROL

- Z3 web interface for control & configuration
- Pass Sony VISCA™ Camera Control Commands over IP
- Supports ONVIF® Profile S
- Pelco-D PTZ Control

RECORDING

- Compressed USB recording

DECODER OPTIONS

- Compatible with ZEUS® HE265-DEC H.265/H.264 decoder* (also available from Z3 Technology)
- PC decoding

STREAMING FEATURES

- H.265, H.264 or MJPEG encoded video over IP with no additional equipment and no distance limitations
- Supports 4K UHD and HD resolutions up to 30 fps (2160p, 1080p, 720p, and lower)
- Outputs RTP, RTSP, MPEG-2 TS or RTMP
- Simultaneously stream and/or record in multiple resolutions and bitrates
- Supports unicast and multicast streaming
- Compatible with Wowza Streaming Engine™ and You Tube Live*
- Dual Camera Streaming
- Dual monitor view optional; or visible with thermal overlay picture-in-picture mode

*in H.264 mode only



SPECIFICATIONS

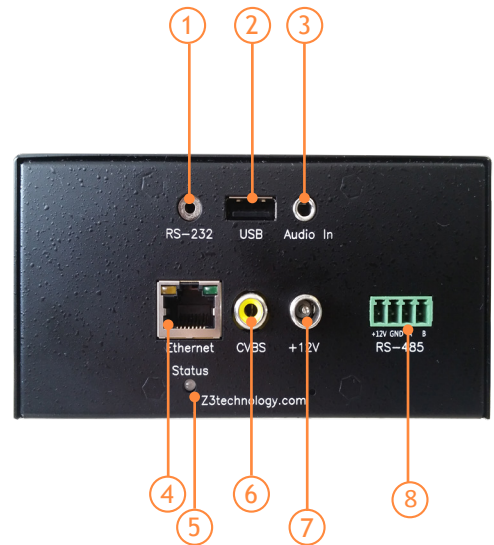
Interfaces	Gigabit Ethernet, USB 2.0, Line Level Audio Input and Composite Video Output	
Power	PoE or 12V DC	
Power Consumption	7.5W typical while encoding H.265 video	
Temperature & Humidity	<i>Operating:</i> -5 to 50 °C at 20-80% Relative Humidity	<i>Storage:</i> -10 to 60 °C at 20-80% Relative Humidity
Mount	1/4 20 UNC tripod screw hole on bottom of unit**	
Dimensions (L x W x H)	121 x 125 x 62 mm (4.8 x 4.9 x 2.4 in)	
Weight	955 g (2 lb 1 oz)	
Package Contents	Z3Cam-DX camera and 12V Power Supply	
Additional Components	Add a wifi USB dongle for wireless connectivity**	

ORDERING OPTIONS

Z3Cam-DX Complete Solution

- 4K Visible and Thermal Imaging
- Built-In H.265 Encoder
- Power Supply
- Serial Cable
- Documentation

OPERATING CONTROLS

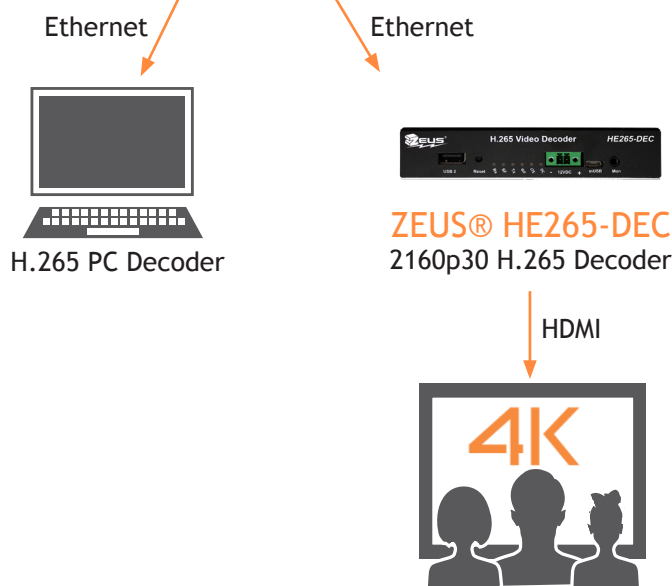


- 1 RS-232 Serial console
- 2 USB 2.0
- 3 Line Level Audio
- 4 GigE with PoE Support
- 5 Status LED
- 6 Composite Video Output
- 7 12V DC Power
- 8 RS-485

DUAL SPECTRUM IP STREAMING

Z3CAM-DX

Dual H.265 IP Streaming
(Also Supports Picture-in-Picture)



This product is subject to US Government Export Controls

****Contact Z3 Technology for Customized Product Options**
sales@Z3technology.com +1.402.323.0702 www.Z3technology.com

