



Lightweight Dual Camera Full HD Encoder

Designed for your UAV Visible & IR Needs

FV2K-DCK-15



- Interfaces with LVDS, Cameralink, and Composite cameras
- Programmable to support a variety of cameras
- High Quality Low Latency Encoding
 - Transport Camera Control Commands over IP
- ONVIF Profile S Compliant
- Lightweight for UAV & other weight constrained Applications

The FV2K-DCK-15 is designed for dual camera UAV, inspection, surveillance, industrial and UAV applications. The flexibility of the system allows for a visible camera and an infrared or night vision camera. The hardware consists of a small 3-board set: Input, Encoder and Connector PCB. The system is capable of encoding multiple channels of H.265 and H.264 video in HD resolutions. The Input board features flexible digital and analog input ports. The encoder can be configured to stream over IP and simultaneously record to micro SD card. This compact design only uses 4.5 watts of power when streaming from 2 cameras. The FV2K-DCK-15 is preloaded with software for full functionality out-of-the-box.

Technical

Interfaces

•Visible Camera Formats	Sony FCB-EV7520 (A), LVDS
•HD and SD IR Formats	LDVS*, NTSC/PAL/RS170*
•Optional Formats	Cameralink, custom formats
•Recording	To Micro SD
•Additional Interfaces	100 Mbps Ethernet, RS-485, Micro-HDMI Output, Composite Output

Video Codecs	H.265, H.264, MJPEG
--------------	---------------------

Encoding Resolutions	1080p (up to 60fps), 720p, NTSC/PAL, VGA, CIF and QVGA
----------------------	--

Output Formats	RTP, RTSP, MPEG-2 TS and RTMP
----------------	-------------------------------

Features

- Lightweight, Low Latency, Low Power
- Ability to Resize HD Camera Input to Lower Resolutions Keeping Full Field of View
- Pass Camera Control Commands over IP
- Easy-to-Use HTTP-Based Control Interface
- ONVIF® Profile S*
- Compatible with ZEUS® HE265-DEC Video Decoder

Specifications

Encoder Board Size	58 x 58 mm (2.28 x 2.28 in)
--------------------	-----------------------------

Encoder Board Weight	53g
----------------------	-----

Power Consumption	4.5W typical while encoding 2 cameras in H.265 video at 1080p60
-------------------	---

ORDERING OPTIONS

FV2K-DCK-15
OEM Production Set

- FV2K-DCK-15 Encoder Boards

Note:

1. Sony FCB-EV Series Camera Blocks and KEL ribbon cable sold separately*
2. Power and Ethernet cables sold separately

APPLICATIONS

UAV and Drones
Inspection
Security and Surveillance
Industrial
Customized Applications*

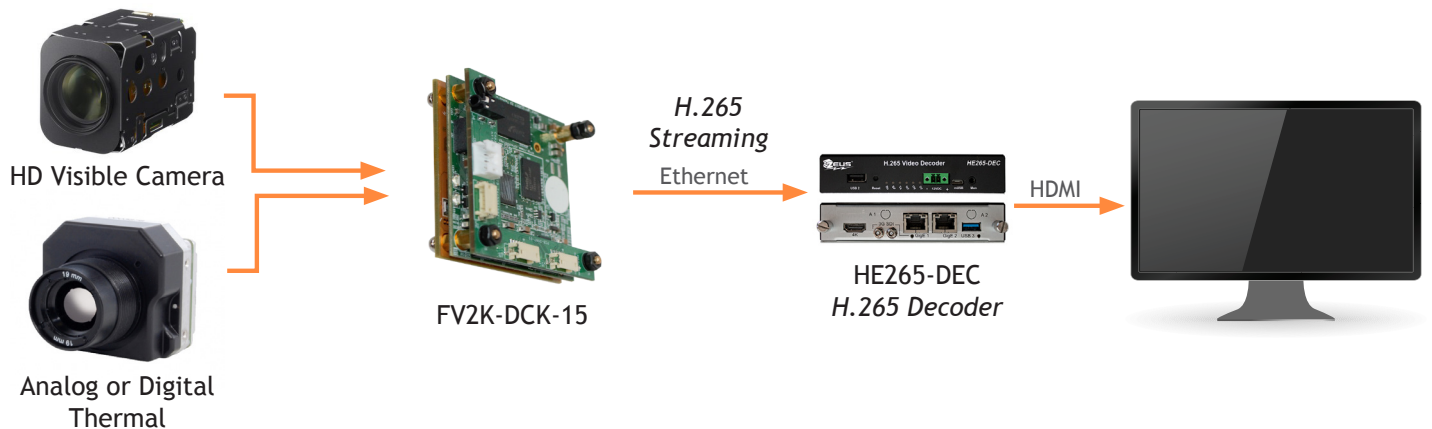
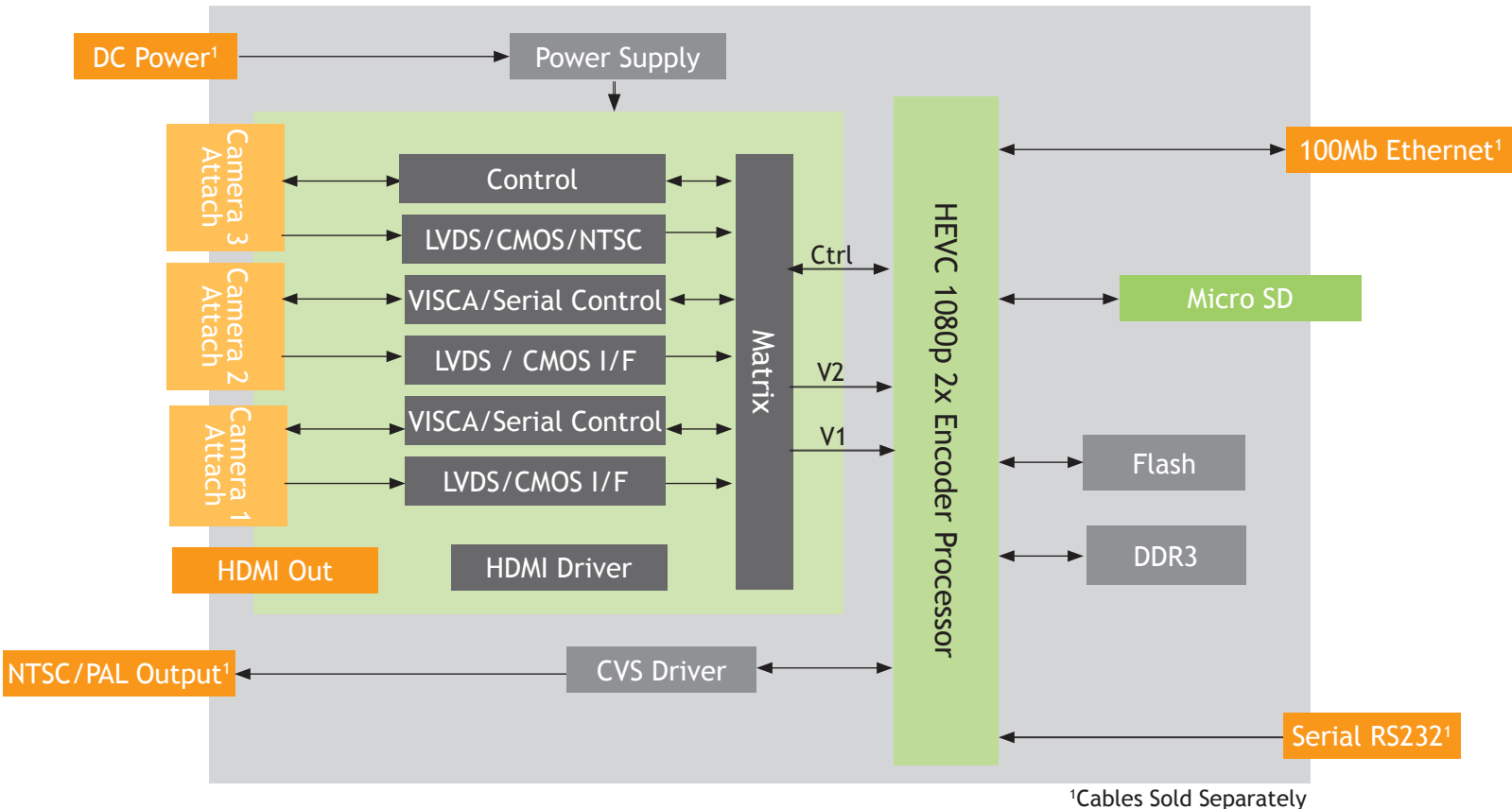
***Contact Z3 Technology for Customized Product Options**

sales@Z3technology.com

+1.402.323.0702

www.Z3technology.com

FV2K-DCK-15 Encoder (H.265 60fps x2)



***Contact Z³ Technology for Customized Product Options**
sales@Z3technology.com +1.402.323.0702 www.Z3technology.com



Z³ Technology is an industry-leading, USA-based manufacturer of production-ready embedded multimedia solutions and IP camera systems. From our founders to our world-class engineers to our sales and customer service team, we understand your requirements and speak your language. Our experience allows us to provide cost-effective solutions to meet your multimedia product requirements. With the assistance of our robust worldwide distribution and sales networks, we can provide a simple solution for your multimedia needs.

