

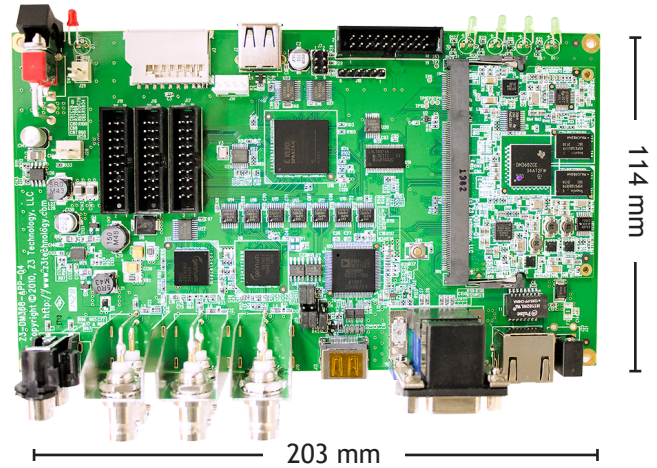


Z3
Technology®

Z3-DM368-VI-RPS

Rapid Production Starter Kit

The Z3-DM368-VI-RPS starter kit provides the hardware and software needed to quickly handle SDI, ASI, component, composite or RGB video. The Z3-DM368-VI-RPS is capable of producing high quality H.264 real-time encode and decode in resolutions of up to 1080p at 30 fps. This cost-effective, compact solution is ready to be deployed in customized applications. The hardware provided includes one Z3-DM368-MOD-0x System on Module card and one Application (I/O) Board, the Z3-DM368-APP-0x, which provides advanced video input and output capabilities. The bundled software includes all necessary components for the user to develop their own advanced multimedia, graphics and DSP applications.



FC CE

BENEFITS

- > Versatile encoding modes such as: low latency, low bitrate and high quality
- > Production-proven, fully integrated hardware and software audio/video system
- > Easily controlled through RS-232 or an HTTP-based GUI
- > Full A/V synchronization even after hours of recording
- > Ready to use, out-of-the-box commands for encoding, decoding and streaming

APPLICATIONS

- Broadcast Video
- Video Security and Surveillance
- Medical and Industrial Video
- Digital Signage
- Commercial and Educational Video
- Customized Applications*

***Contact Z3 Technology for Customized Product Options**

sales@Z3technology.com

+1.402.323.0702

www.Z3technology.com

Hardware

Module	Z3-DM368-MOD-0x
Application Board	Z3-DM368-APP-0x
Processor	ARM9
Video Inputs	HD-SDI, HDMI, Component, Composite and RGB
Video Outputs	ASI and HD-SDI
Video Codecs	H.264 and MPEG-2
Audio Interfaces	Analog Stereo, Embedded HDMI and Embedded SDI
Audio Codecs	AAC, G.711 and PCM
Additional Interfaces	Ethernet, SD Card, USB 2.0 and Serial

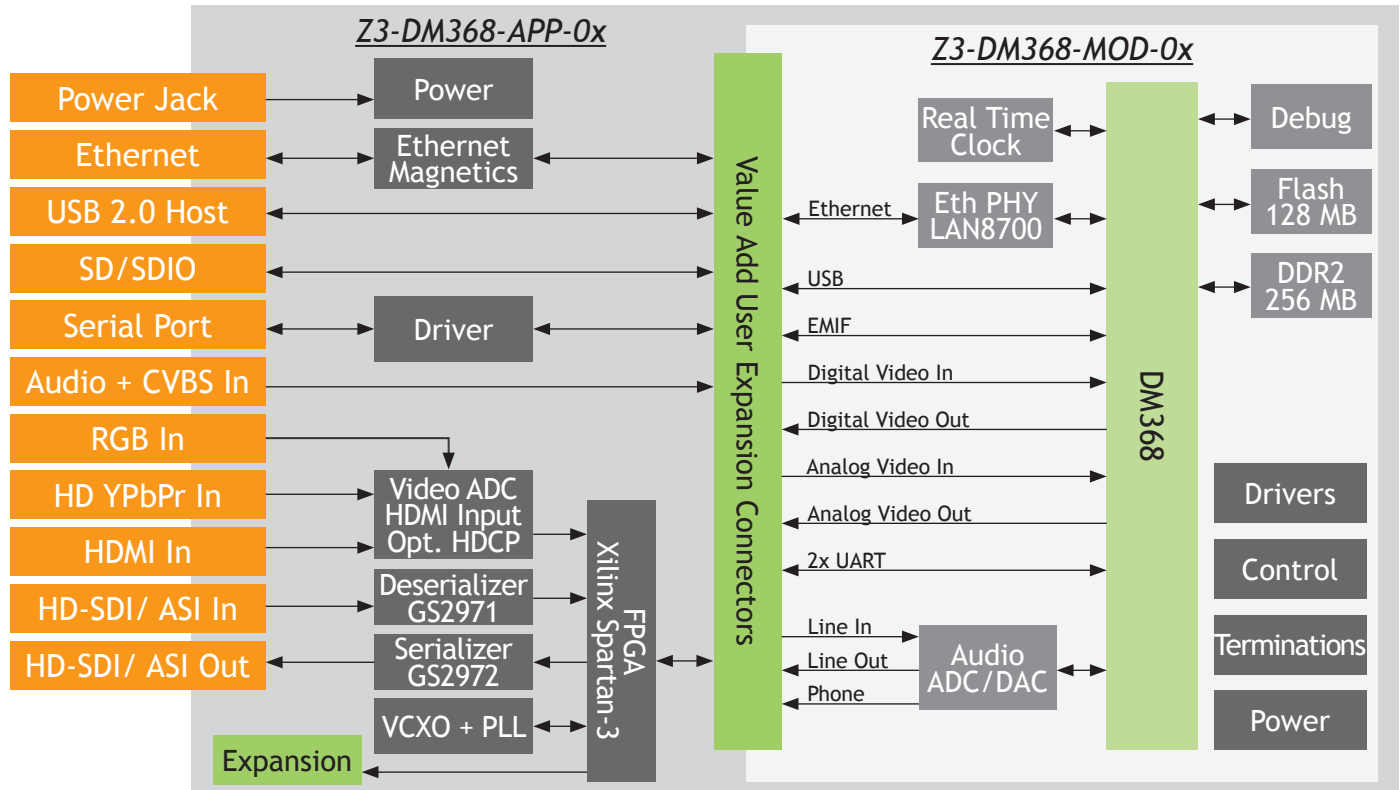
Software

Software Development	Texas Instruments® DVSDK, Z3 Technology software components for DVSDK, Z3 Applications
Operating System	Linux 2.6 (root file-system, NAND boot, tool chain and flash programming tool), u-boot
Encoding Resolutions	H.264 video from QCIF to 1080p/i at 30 fps
Output Formats	RTP, MPEG-2 TS and MPEG-2 TS over RTP
Decoding Resolutions	H.264 video from QCIF to 1080p/i at 30 fps
Input Formats	RTP, RTSP, MPEG-2 TS and MPEG-2 TS over RTP
Features	<ul style="list-style-type: none"> • Closed Captioning (EIA-608, EIA-708) • Low latency mode • Flexible resizer to allow full frame display of smaller resolutions • Fully controllable parameters: resolution, max bitrate, GOP size and on-the-fly bitrate control • Source code license available*

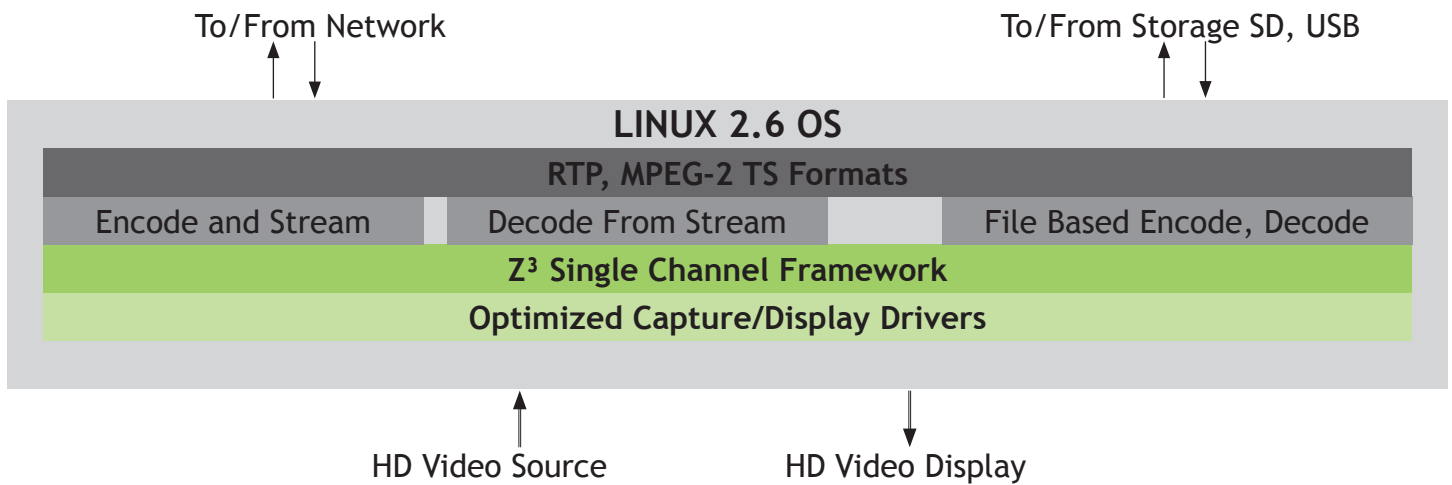
Specifications

Module Size	68 x 44 mm (2.68 x 1.73 in)
Application Board Size	203 x 114 mm (7.99 x 4.49 in)
Power Supply	12V
Power Consumption	2.6W

HW Block Diagram



SW Block Diagram



***Contact Z³ Technology for Customized Product Options**
sales@Z3technology.com +1.402.323.0702 www.Z3technology.com



Z³ Technology is the market leader in providing production-ready embedded multimedia solutions and systems. From our founders to our world-class engineers to our sales and customer service team, we understand your requirements and speak your language. Our experience allows us to provide cost-effective solutions to meet your multimedia product requirements. With the assistance of our robust worldwide distribution and sales networks, we can provide a simple solution for your multimedia needs.