

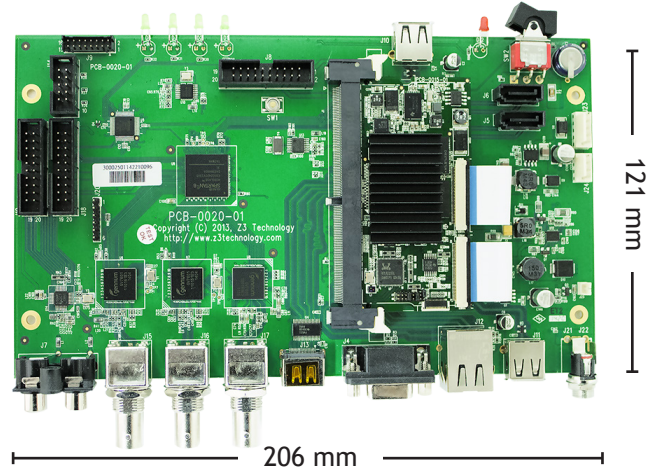


Z3
Technology®

Z3-DM8107-SDI-RPS

Rapid Production Starter Kit

The Z3-DM8107-SDI-RPS is a development system that allows H.264 encode and decode of HD video in resolutions up to 1080p at 60fps. This system consists of a hardware package and software bundle designed to enable rapid development of multimedia applications. The hardware consists of one Z3-DM8107-MOD-0x System on Module card and one Z3-DM8107-APP-1x board. The Z3-DM8107-MOD-0x is a compact OEM module which supports up to 1080p60 H.264 encode/decode in streaming or storage mode. It is especially suited for power-sensitive applications requiring a single video stream. The application board uses the I/O expansion capability of the Z3-DM8107-MOD-0x to implement additional functions not present in the base module. The software bundle consists of the necessary components for developing advanced multimedia, graphics, and DSP applications.



BENEFITS

- > Versatile encoding modes such as: low latency, low bitrate and high quality
- > Production-proven, fully integrated hardware and software audio/video system
- > Easily controlled through RS-232 or an HTTP-based GUI
- > Full A/V synchronization even after hours of recording
- > Optional Support for KLV*
- > Ready to use, out-of-the-box commands for encoding, decoding and streaming

APPLICATIONS

- Video Security and Surveillance
- Industrial Video Applications
- Broadcast Encoding
- Satellite Uplink
- Customized Applications*

***Contact Z3 Technology for Customized Product Options**

sales@Z3technology.com

+1.402.323.0702

www.Z3technology.com

Hardware

Module	Z3-DM8107-MOD-0x
Application Board	Z3-DM8107-APP-1x
Processor	ARM Cortex A8
Video Inputs	2x HD-SDI, Composite and ASI
Video Outputs	3G-SDI, HDMI and ASI
Video Codecs	H.264
Audio Interfaces	Analog Stereo and Embedded SDI
Audio Codecs	AAC, G.711* and PCM*
Additional Interfaces	GigE, 2x SATA, 2x USB 2.0 and Serial

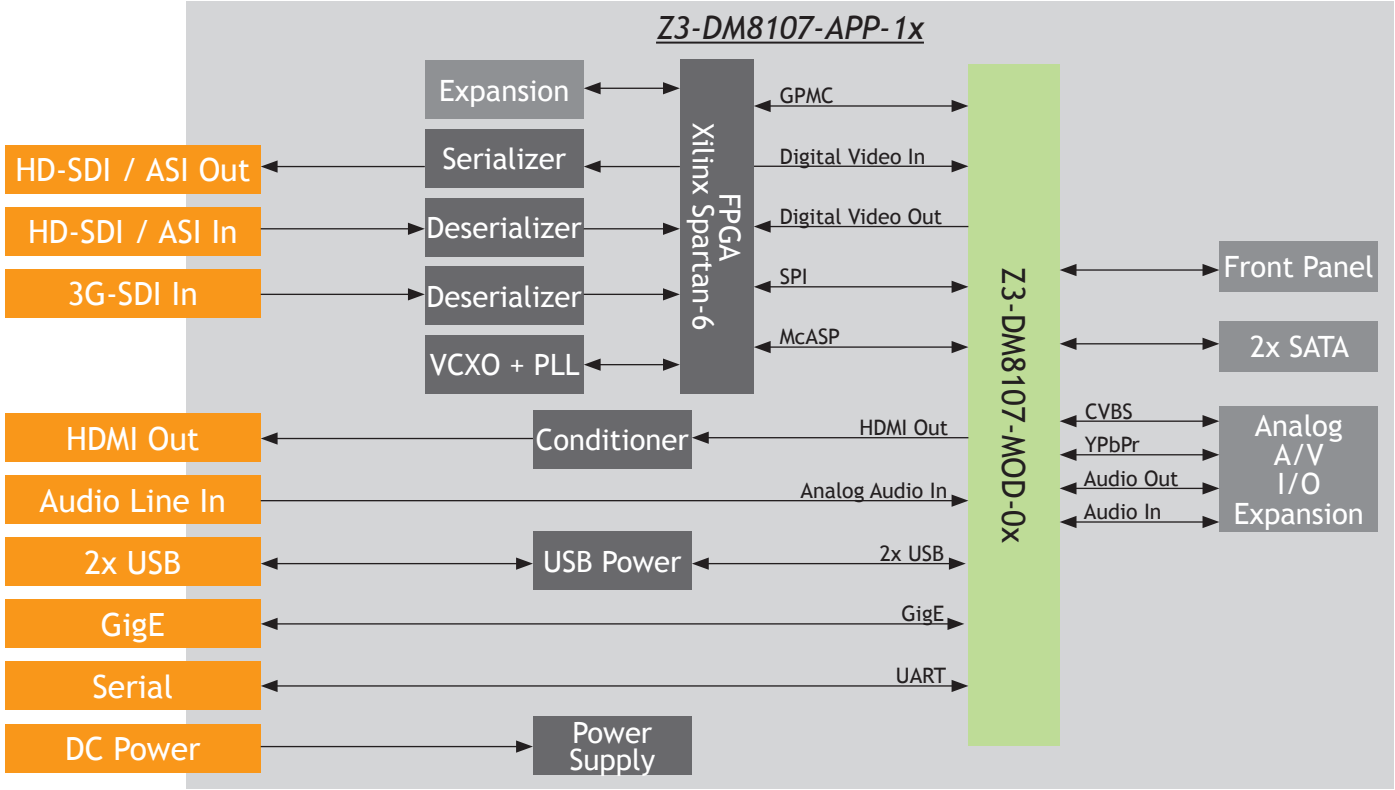
Software

Software Development	Texas Instruments® RDK, Z3 Technology software components for RDK, Z3 Applications
Operating System	Linux 2.6 (root file-system, NAND boot, tool chain and flash programming tool), u-boot
Encoding Resolutions	H.264 video from QCIF to 1080p/i at 60 fps Dual Channel encode of up to 1x 1080i and 1x 720p60
Output Formats	RTP, MPEG-2 TS, RTMP, MPTS* and TS File
Decoding Resolutions	H.264 video from QCIF to 1080p/i at 60 fps
Input Formats	RTP, MPEG-2 TS and TS File
Features	<ul style="list-style-type: none"> • Closed Captioning (EIA-608, EIA-708) • Supports encode of one source to up to three streams • Low latency mode • Flexible resizer to allow full frame display of smaller resolutions • Fully controllable parameters: resolution, max bitrate, GOP and on-the-fly bitrate control • SDI KLV capture & KLV synchronous transport available* • Source code license available*

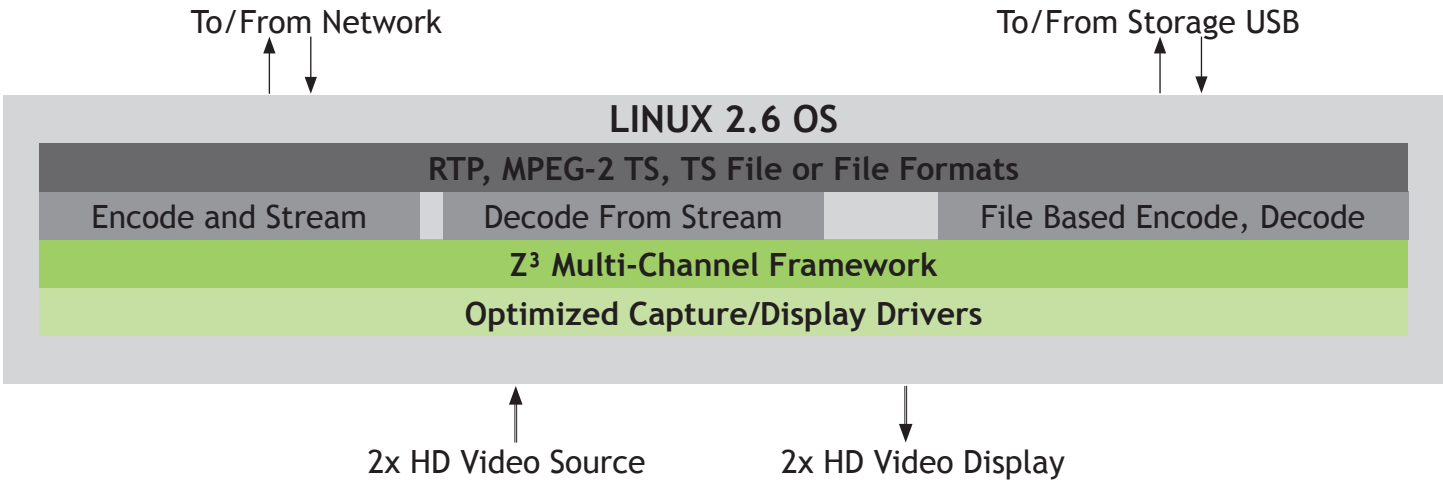
Specifications

Module Size	82 x 43 mm (3.23 x 1.69 in)
Application Board Size	206 x 121 mm (8.11 x 4.76 in)
Power Supply	12V
Power Consumption	6W

HW Block Diagram



SW Block Diagram



***Contact Z³ Technology for Customized Product Options**
sales@Z3technology.com +1.402.323.0702 www.Z3technology.com



Z³ Technology is the market leader in providing production-ready embedded multimedia solutions and systems. From our founders to our world-class engineers to our sales and customer service team, we understand your requirements and speak your language. Our experience allows us to provide cost-effective solutions to meet your multimedia product requirements. With the assistance of our robust worldwide distribution and sales networks, we can provide a simple solution for your multimedia needs.

