

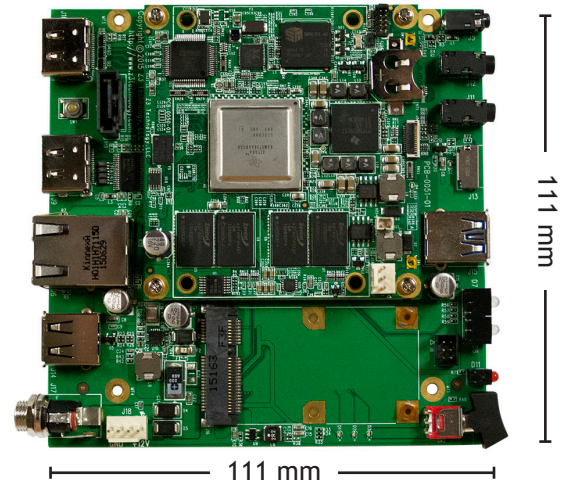


**Z3**  
Technology®

# Z3-AM572x-RPS

## Rapid Production Starter Kit

The Z3-AM572x-RPS is Z3's latest starter kit that allows development of applications to support advancements in industrial applications such as HMI, machine vision, networking, medical imaging and other applications. The Z3-AM572x-RPS consists of a hardware package and software bundle designed to enable rapid product development as well as provide a production quality sub-system. The hardware consists of one Z3-AM572x-MOD-0x System on Module card and one Z3-AM572x-APP-0x Application (I/O) Board. The software bundle consists of the necessary components to support H.264 encode and decode up to 1080p60 as well as HEVC decode at 720p30, graphics, and DSP applications. The Z3-AM572x-MOD-0x is a compact OEM module featuring the latest Sitara™ multimedia processors which offer the latest in video compression. The application board uses the I/O expansion capability of the Z3-AM572x-MOD-0x to implement additional functions not present in the base module.



### BENEFITS

- > HEVC Decode up to 1080p30
- > H.264 Video Encode and Decode up to 1080p60
- > Compact, powerful design for easy integration in customized applications
- > Dual ARM Cortex-A15 multimedia processors
- > Easily controlled through RS-232 or an HTTP-based GUI
- > Ready to use, out-of-the-box commands for encoding, decoding and streaming

### APPLICATIONS

- Video Security and Surveillance
- Medical Imaging
- Industrial Video
- Digital Signage
- Customized Applications\*

### Hardware

Module	Z3-AM572x-MOD-0x
Application Board	Z3-AM572x-APP-0x
Processor	Dual ARM Cortex-A15 + Dual 750 MHz C66x DSPs
Video Inputs	HDMI
Video Outputs	HDMI
Video Codecs	H.264
Audio Interfaces	Embedded HDMI and Analog Stereo
Audio Codecs	AAC, G.711* and PCM*
Additional Interfaces	GigE, SATA2, USB 3.0, USB 2.0, PCIe, Micro SD, Mini-PCIe Card and Serial

### Software

Software Development	Texas Instruments® Single Processor SDK, Z3 Technology software components for SDK, Z3 Applications
Operating System	Linux 3.x (root file-system, NAND boot, tool chain and flash programming tool), u-boot
Encoding Resolutions	H.264 video from QCIF to 1080p/i at 60 fps
Output Formats	RTP, RTMP and MPEG-2 TS
Decoding Resolutions	HEVC video up to 720p30 H.264 video from QCIF to 1080p/i at 60 fps
Input Formats	RTP and MPEG-2 TS
Features	<ul style="list-style-type: none"> <li>• Mini-PCIe Card for easy WiFi, BT and 4G implementation</li> <li>• Real-time control and processing with quad core PRU (Programmable Real-Time Unit)</li> <li>• Industrial communication subsystem</li> <li>• Source code license available*</li> </ul>

### Specifications

Module Size	77 x 71 mm (3.03 x 2.80 in)
Application Board Size	111 x 111 mm (4.37 x 4.37 in)
Power Supply	12V
Power Consumption	6W (Estimated)

**\*Contact Z3 Technology for Customized Product Options**

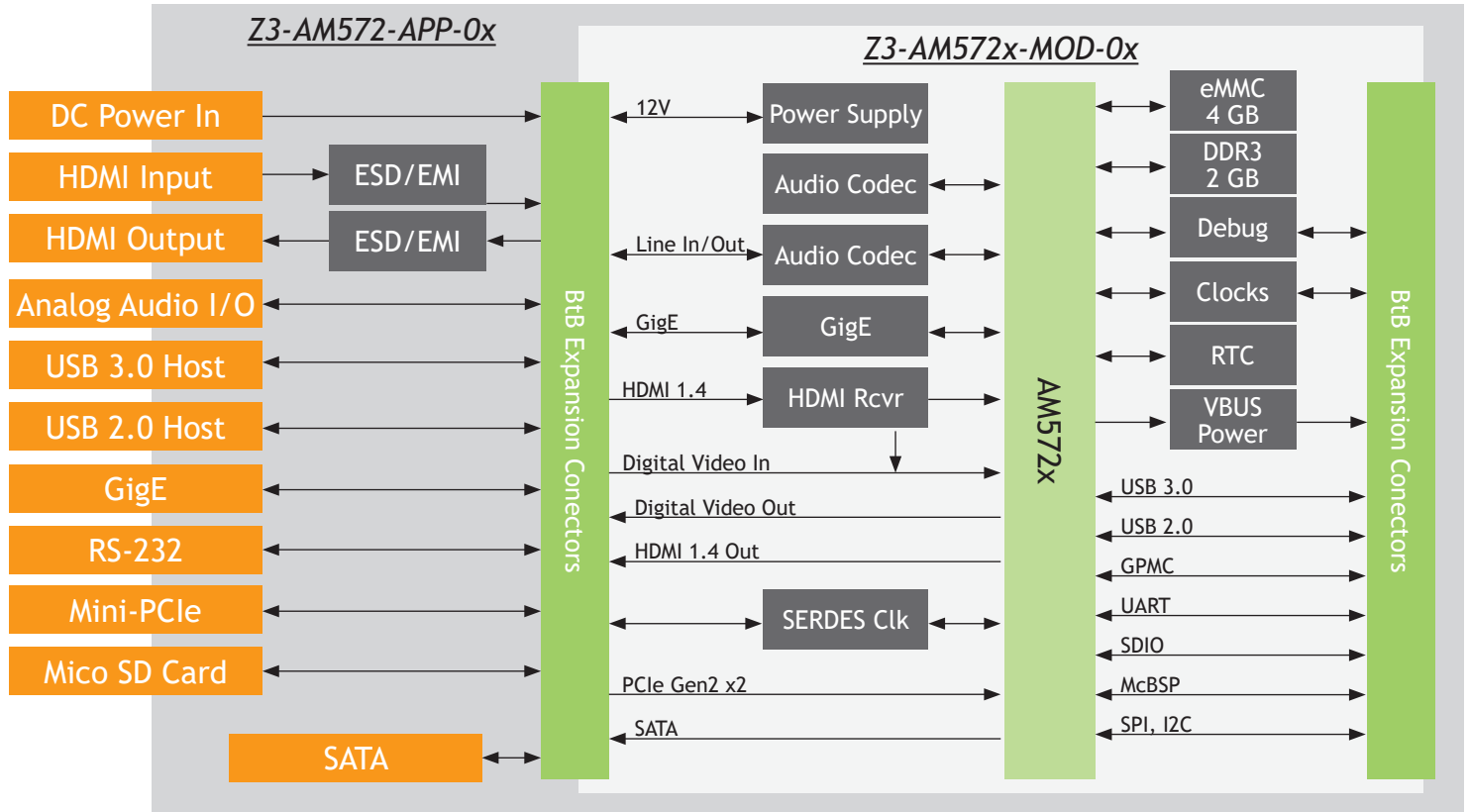
[sales@Z3technology.com](mailto:sales@Z3technology.com)

+1.402.323.0702

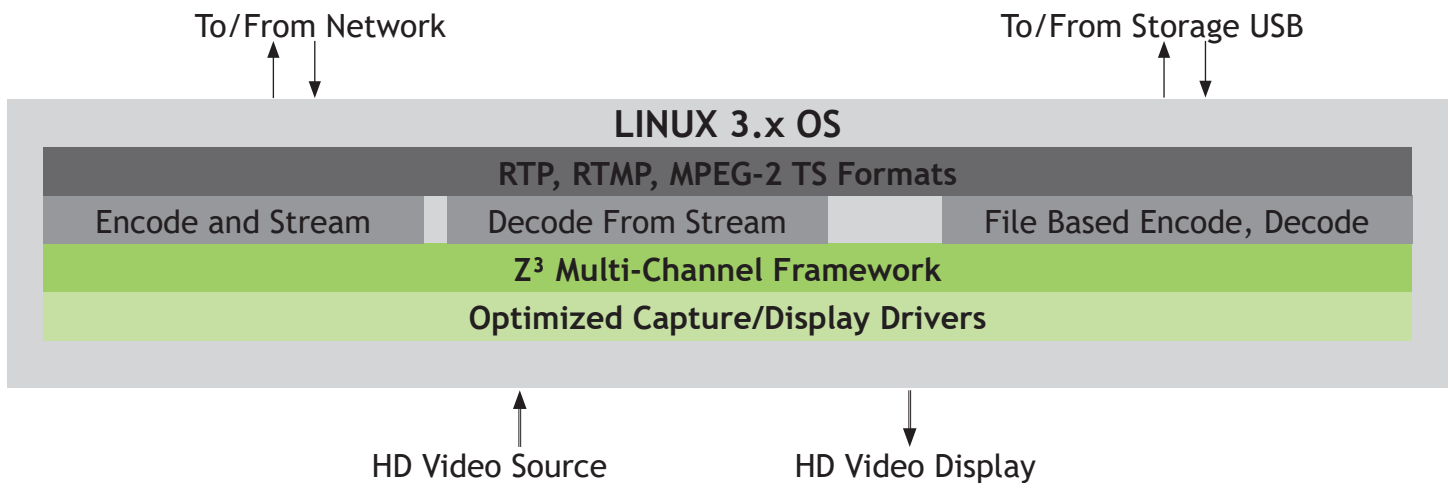
[www.Z3technology.com](http://www.Z3technology.com)

# HW Block Diagram

# Z3-AM572x-RPS



# SW Block Diagram



**\*Contact Z<sup>3</sup> Technology for Customized Product Options**  
[sales@Z3technology.com](mailto:sales@Z3technology.com)    +1.402.323.0702    [www.Z3technology.com](http://www.Z3technology.com)



Z<sup>3</sup> Technology is the market leader in providing production-ready embedded multimedia solutions and systems. From our founders to our world-class engineers to our sales and customer service team, we understand your requirements and speak your language. Our experience allows us to provide cost-effective solutions to meet your multimedia product requirements. With the assistance of our robust worldwide distribution and sales networks, we can provide a simple solution for your multimedia needs.