

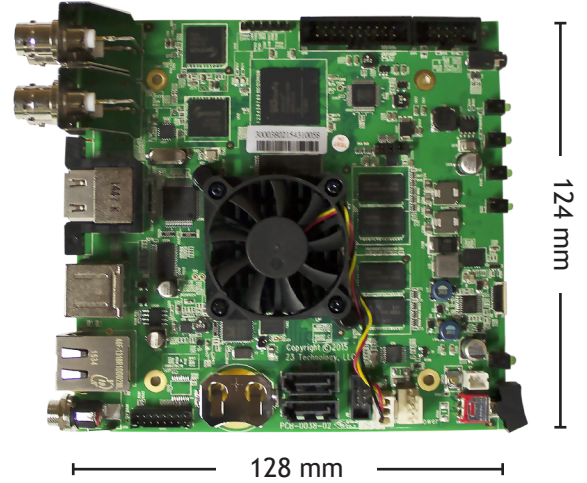


Z3
Technology®

Z3-SBE264-20

Single Board Encoder

The production-ready Z3-SBE264-20 is designed to simplify the overall system design while reducing time-to-market and overall costs. The Z3-SBE264-20 is a single board encoder supporting H.264 encode/decode in resolutions up to 1080p at 60 fps. On-board 3G-SDI and HDMI interfaces allow for immediate access to encoding capabilities. This compact system is the ideal solution for applications such as broadcast video encoding and decoding, digital signage and video kiosks, medical and industrial video, MCUs and high definition embedded video sub-systems. The versatile design allows the system designer to focus on the end application, with confidence that the Z3-SBE264-20 will handle all audio and video media operations required.



BENEFITS

- > 3G-SDI or HDMI H.264 Encoder
- > Production-proven, fully integrated hardware and software audio/video system
- > H.264 encode/decode in resolutions up to 1080p60
- > High density connectors to interface to all signals
- > Versatile design geared to reduce time-to-market and overall costs
- > Linux-based system, easy to customize if needed

APPLICATIONS

- Broadcast Video
- Video Security and Industrial Video
- Digital Signage and Video Kiosks
- Medical Video
- Customized Applications*

Hardware

Module	Z3-SBE264-20	
Processor	DSP + ARM Cortex A8	
Video Codecs	H.264	
Interfaces	3G-SDI HDMI USB 2.0	GigE SATA2 UART
Audio Codecs	AAC or PCM	
Memory	DDR3: 1GB Flash: 256 MB	

Software

Software Development	Texas Instruments® RDK, Z ³ Technology software components for RDK, Z ³ Applications
Operating System	Linux 2.x (root file-system, NAND boot, tool chain and flash programming tool), u-boot
Encoding Resolutions	H.264 video up to 1080p60
Output Formats	RTP, RTMP and MPEG-2 TS
Decoding Resolutions	H.264 video up to 1080p60
Input Formats	RTP and MPEG-2 TS
Features	<ul style="list-style-type: none"> • Advanced video processing features such as scan, format and rate conversion • 3D graphics and advanced display capabilities at up to 1920 x 1080 resolution • Fully controllable parameters: resolution, max bitrate, GOP and on-the-fly bitrate control

Specifications

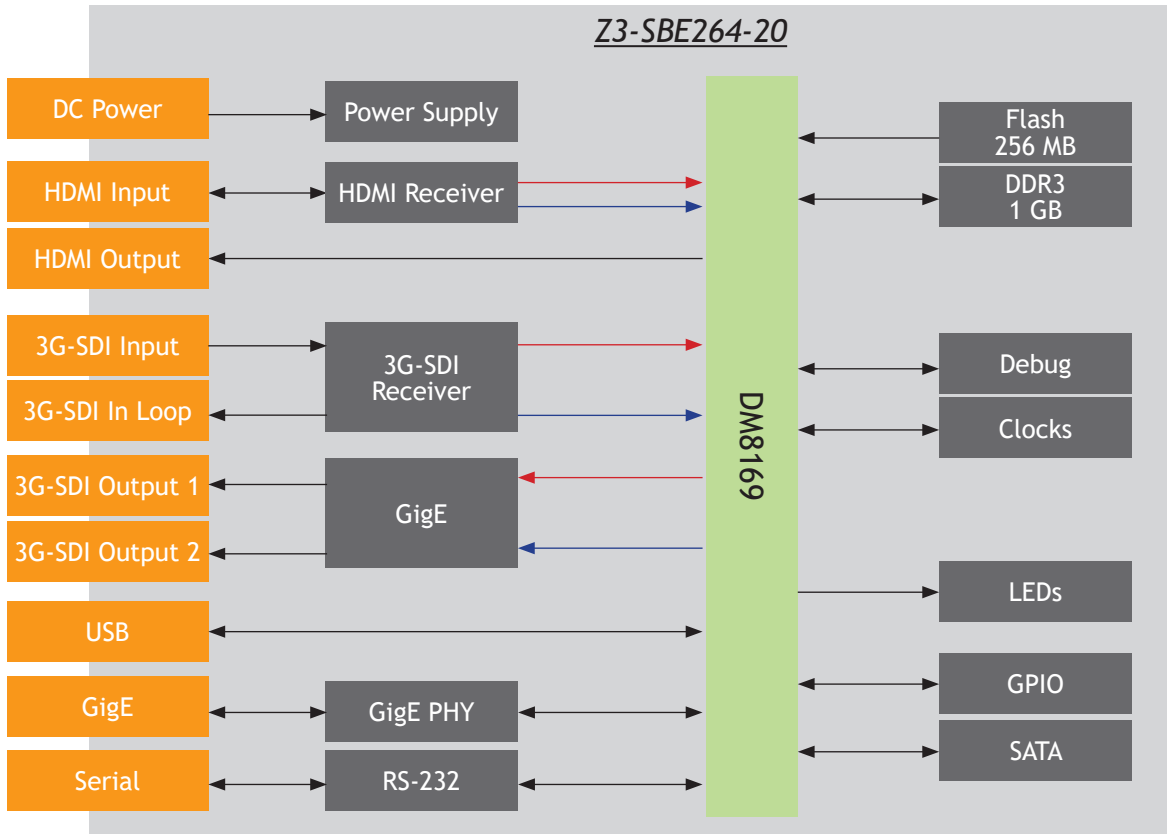
Module Size	(L x W x H) 5.03 x 4.87 x 1.22 in (L x W x H) 127.7 x 123.6 x 31 mm
Power Supply	12V
Typical Power Consumption	15W

***Contact Z³ Technology for Customized Product Options**

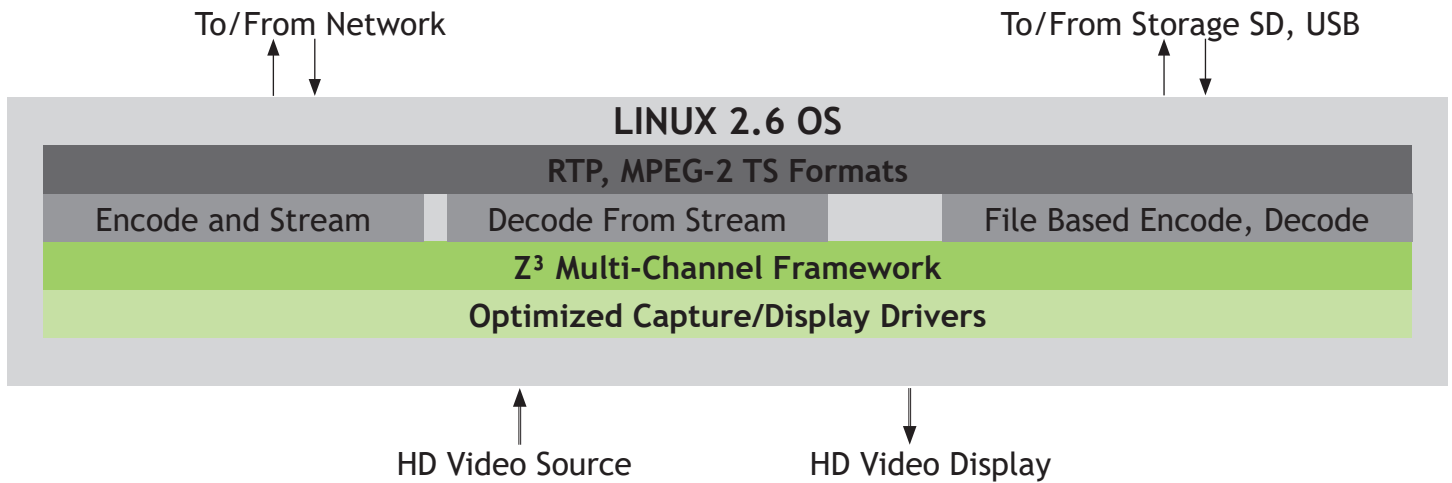
sales@Z3technology.com

+1.402.323.0702

www.Z3technology.com



SW Block Diagram



***Contact Z³ Technology for Customized Product Options**
sales@Z3technology.com +1.402.323.0702 www.Z3technology.com



Z³ Technology is the market leader in providing production-ready embedded multimedia solutions and systems. From our founders to our world-class engineers to our sales and customer service team, we understand your requirements and speak your language. Our experience allows us to provide cost-effective solutions to meet your multimedia product requirements. With the assistance of our robust worldwide distribution and sales networks, we can provide a simple solution for your multimedia needs.