

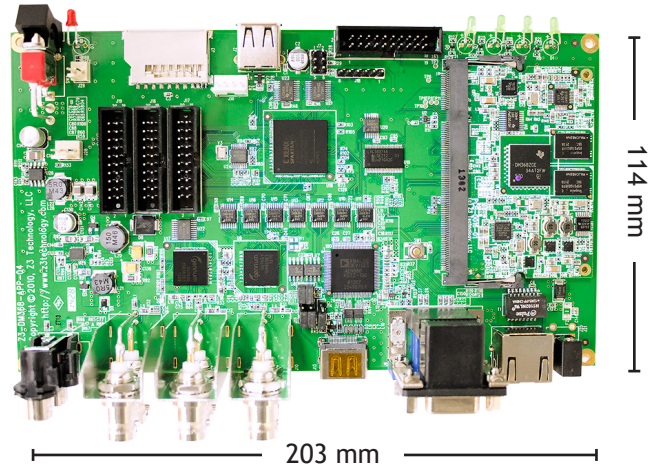


**Z3**  
Technology®

# Z3-DM368-VI-RPS

## Rapid Production Starter Kit

The Z3-DM368-VI-RPS starter kit provides the hardware and software needed to quickly handle SDI, ASI, component, composite or RGB video. The Z3-DM368-VI-RPS is capable of producing high quality H.264 real-time encode and decode in resolutions of up to 1080p at 30 fps. This cost-effective, compact solution is ready to be deployed in customized applications. The hardware provided includes one Z3-DM368-MOD-0x System on Module card and one Application (I/O) Board, the Z3-DM368-APP-0x, which provides advanced video input and output capabilities. The bundled software includes all necessary components for the user to develop their own advanced multimedia, graphics and DSP applications.



### BENEFITS

- > Versatile encoding modes such as: low latency, low bitrate and high quality
- > Production-proven, fully integrated hardware and software audio/video system
- > Easily controlled through RS-232 or an HTTP-based GUI
- > Full A/V synchronization even after hours of recording
- > Ready to use, out-of-the-box commands for encoding, decoding and streaming

### APPLICATIONS

- Broadcast Video
- Video Security and Surveillance
- Medical and Industrial Video
- Digital Signage
- Commercial and Educational Video
- Customized Applications\*

**\*Contact Z3 Technology for Customized Product Options**

[sales@Z3technology.com](mailto:sales@Z3technology.com)

+1.402.323.0702

[www.Z3technology.com](http://www.Z3technology.com)

### Hardware

Module	Z3-DM368-MOD-0x
Application Board	Z3-DM368-APP-0x
Processor	ARM9
Video Inputs	HD-SDI, HDMI, Component, Composite and RGB
Video Outputs	ASI and HD-SDI
Video Codecs	H.264 and MPEG-2
Audio Interfaces	Analog Stereo, Embedded HDMI and Embedded SDI
Audio Codecs	AAC, G.711 and PCM
Additional Interfaces	Ethernet, SD Card, USB 2.0 and Serial

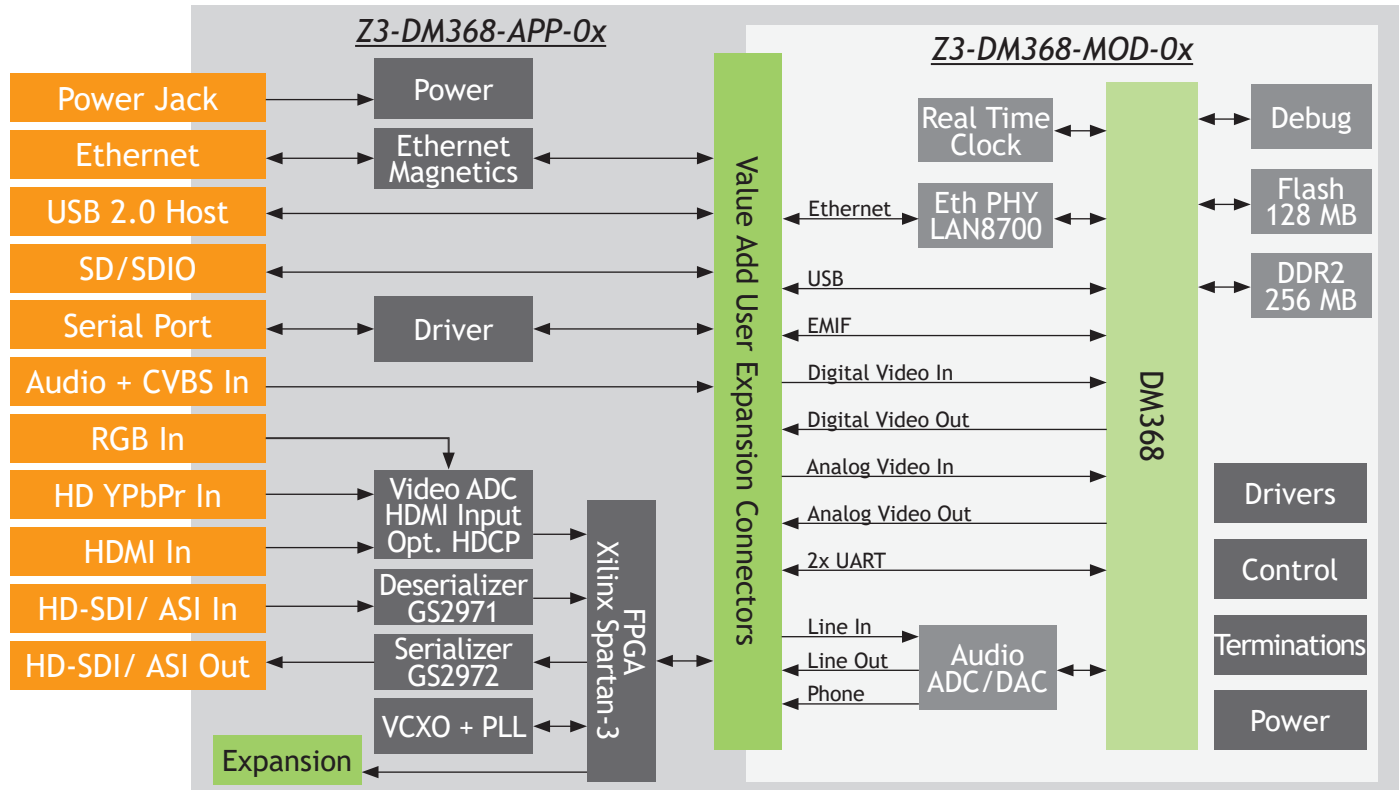
### Software

Software Development	Texas Instruments® DVSDK, Z3 Technology software components for DVSDK, Z3 Applications
Operating System	Linux 2.6 (root file-system, NAND boot, tool chain and flash programming tool), u-boot
Encoding Resolutions	H.264 video from QCIF to 1080p/i at 30 fps
Output Formats	RTP, MPEG-2 TS and MPEG-2 TS over RTP
Decoding Resolutions	H.264 video from QCIF to 1080p/i at 30 fps if encoder is DM368 based, otherwise max of 720p30
Input Formats	RTP, RTSP, MPEG-2 TS and MPEG-2 TS over RTP <ul style="list-style-type: none"> <li>• Closed Captioning (EIA-608, EIA-708)</li> <li>• Low latency mode</li> </ul>
Features	<ul style="list-style-type: none"> <li>• Flexible resizer to allow full frame display of smaller resolutions</li> <li>• Fully controllable parameters: resolution, max bitrate, GOP size and on-the-fly bitrate control</li> <li>• Source code license available*</li> </ul>

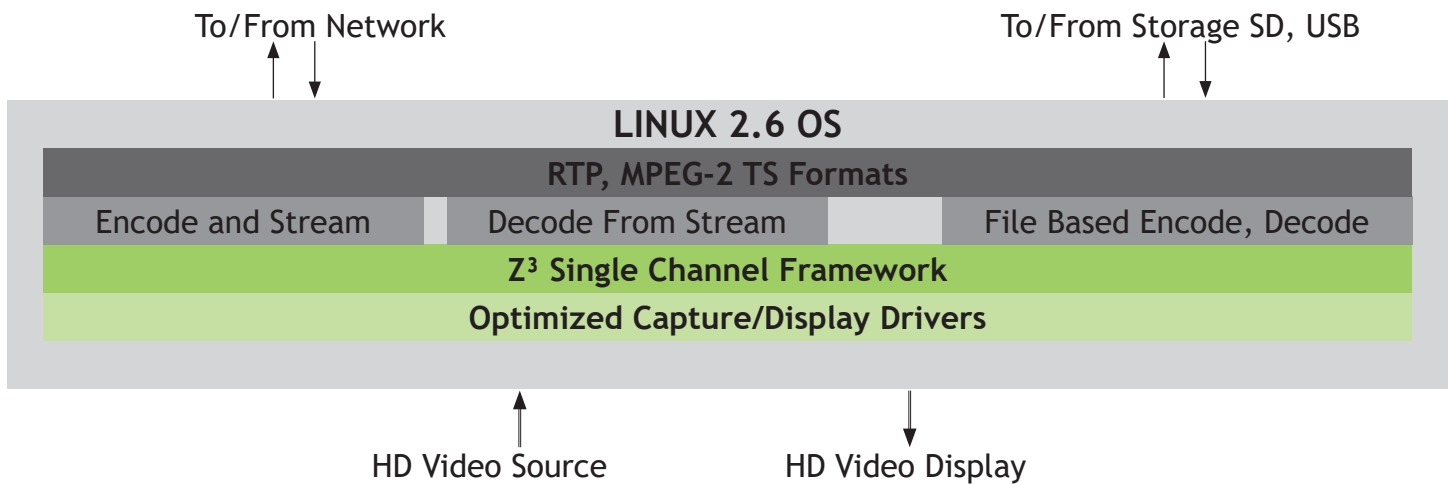
### Specifications

Module Size	68 x 44 mm (2.68 x 1.73 in)
Application Board Size	203 x 114 mm (7.99 x 4.49 in)
Power Supply	12V
Power Consumption	2.6W

## HW Block Diagram



## SW Block Diagram



**\*Contact Z<sup>3</sup> Technology for Customized Product Options**  
[sales@Z3technology.com](mailto:sales@Z3technology.com)    +1.402.323.0702    [www.Z3technology.com](http://www.Z3technology.com)



Z<sup>3</sup> Technology is the market leader in providing production-ready embedded multimedia solutions and systems. From our founders to our world-class engineers to our sales and customer service team, we understand your requirements and speak your language. Our experience allows us to provide cost-effective solutions to meet your multimedia product requirements. With the assistance of our robust worldwide distribution and sales networks, we can provide a simple solution for your multimedia needs.