

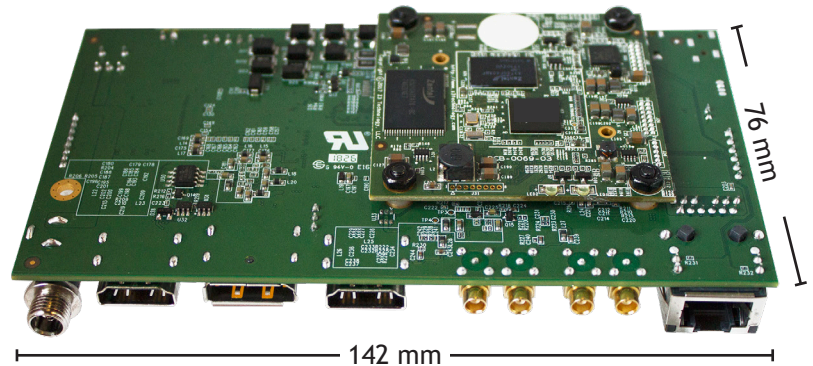


Z3
Technology®

Z3-HE2160-RPS

H.265 4Kp30 Starter Kit

The Z3-HE2160-RPS starter kit allows H.265 encode up to 4Kp30. It consists of a hardware package and software bundle designed to enable rapid development of multimedia applications. The hardware consists of one Z3-HE2160-MOD-0x System on Module card and one Z3-HE2160-APP-0x Application (I/O) Board. The Z3-HE2160-MOD-0x is a compact OEM module which supports up to 2160p30 encode in streaming or storage mode. The application board uses the I/O expansion capability of the Z3-HE2160-MOD to implement additional functions not present in the base module. The software bundle consists of the necessary components for developing advanced multimedia, graphics, and DSP applications.



BENEFITS

- > HEVC/H.265 high efficient encode through HDMI, Display Port, and 3G-SDI interfaces
- > Compact design ideal for quick implementation in customized solutions
- > Easily controlled through RS-232 serial or an HTTP-based GUI
- > Ready to use, out-of-the-box commands for encoding and streaming

APPLICATIONS

Medical Video Applications
 Video Security and Surveillance
 Industrial Video Applications
 Government/Military Applications
 Broadcast Video Encoding
 Customized Applications*

***Contact Z3 Technology for Customized Product Options**

sales@Z3technology.com

+1.402.323.0702

www.Z3technology.com

Hardware

Module	Z3-HE2160-MOD-0x	
Application Board	Z3-HE2160-APP-0x	
Processor	ARM A17/A7 big-Little at 1.25GHz	
Video Inputs	3G-SDI, HDMI and Display Port	
Video Codecs	H.265, H.264, MJPEG	
Audio Interfaces	Embedded HDMI, Embedded SDI, and Analog Audio	
Audio Codecs	HE-AAC, HEv2-AAC, AAC-LC 4 Channels Line Level and Embedded Audio	
Interfaces	HDMI 1.4a input/output Display Port 1.1 input 2x 3G-SDI Input Re-Clocked SDI loop through Gigabit Ethernet RS-232	USB 2.0 Line Level Audio Input RS-485 2x GPIO or UART Micro-SD card

Software

Operating System	Embedded Linux (root file-system, NAND boot, tool chain and flash programming tool), u-boot
Encoding Resolutions	H.265 encode in resolutions up to 2160p30, H.264 video from QCIF to 2160p30, & 1080i
Output Formats	RTP, RTSP, MPEG-2 TS over UDP, RTMP, TSRTSP, MPTS and TS File

Features

- Low Latency
- Fully controllable parameters; resolution, max bitrate, GOP and on the fly bitrate control
- Zixi Feeder Enabled

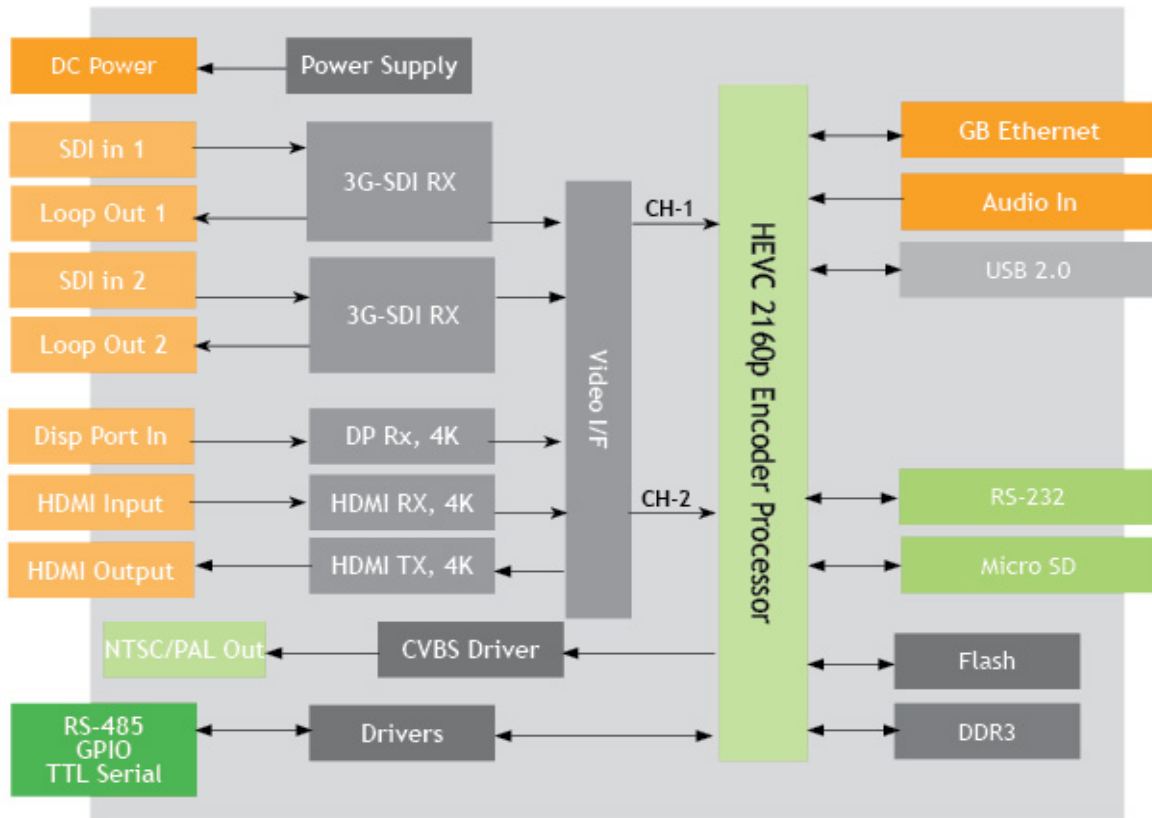
Specifications

Module Size	58 x 58 mm (2.28 x 2.28 in)
Application Board Size	142 x 76 mm (5.59 x 2.99 in)
Board Weight	115g
Power Supply	12V
Power Consumption	Approximately 5W

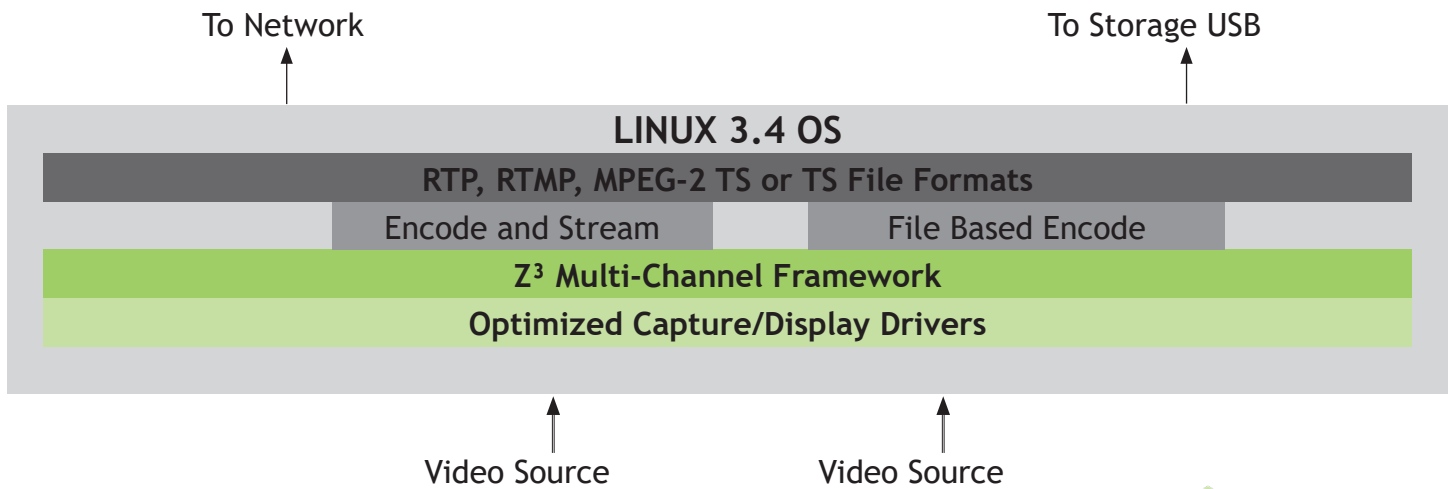
HW Block Diagram

Z3-HE2160-RPS

Z3-HE2160-RPS



SW Block Diagram



***Contact Z³ Technology for Customized Product Options**
sales@Z3technology.com +1.402.323.0702 www.Z3technology.com



Z³ Technology is the market leader in providing production-ready embedded multimedia solutions and systems. From our founders to our world-class engineers to our sales and customer service team, we understand your requirements and speak your language. Our experience allows us to provide cost-effective solutions to meet your multimedia product requirements. With the assistance of our robust worldwide distribution and sales networks, we can provide a simple solution for your multimedia needs.