

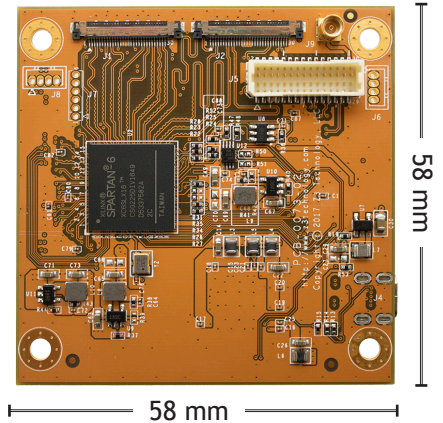
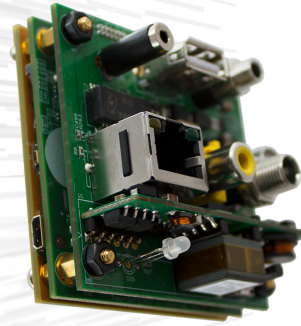


Dual Camera Full HD Encoder

Designed for your Visible & IR Monitoring Needs

FV2K-DCK-1x

- H.265/H.264 Dual Camera Video Streaming
- Interfaces with LVDS, and Composite cameras
- Programmable to support a variety of cameras
- High Quality Low Latency Encoding Pass
- Camera Control Commands over IP
- ONVIF Profile S & T Compliant



The FV2K-DCK-1x designed for dual camera inspection, surveillance, industrial and UAV applications. The flexibility of the system allows for a visible camera and an infrared or night vision camera. The hardware consists of a 3-board set: Input, Encoder and Connector PCB. The system is capable of encoding multiple channels of H.265 and H.264 video in HD resolutions. The Input board features flexible digital and analog input ports. The encoder can be configured to stream over IP and simultaneously record to USB or micro SD card. This compact design only uses 4.5 watts of power when streaming from 2 cameras. The FV2K-DCK-1x is available with either software preloaded or with an optional SDK starter kit.



Technical

Interfaces

•Visible Camera Formats	Sony FCB-EV7520
•HD and SD IR Formats	LVDS*, NTSC/PAL/RS170*
•Recording	To either USB, or Micro SD
•Additional Interfaces	GigE, Audio Input, RS-485, Micro-HDMI Passthrough, Composite Output

Video Codecs H.265, H.264

Encoding Resolutions 1080p (up to 60fps), 720p, NTSC/PAL, VGA, CIF and QVGA

Output Formats RTP, RTSP, MPEG-2 TS and RTMP¹

Features

- Low Latency, Low Power
- Ability to Resize HD Camera Input to Lower Resolutions Keeping Full Field of View
- SRT Modes Supported: Caller, Sender, Rendezvous & SRT Encryption
- Pass Camera Control Commands over IP
- Easy-to-Use HTTP-Based Control Interface
- ONVIF® Profile S & T*
- Compatible with ZEUS® Video Decoders¹

Specifications

¹in H.264 mode only

Encoder Board Size	58 x 58 x 38 mm (2.28 x 2.28 1.49 in)
Encoder Board Weight	104g (aluminum heat pipe is additional 40g)
Power Consumption	4.5W typical while encoding 2 cameras in H.265 video at 1080p60
Power Supply	12V DC
Operating Temperature	-5 °C to +70 °C

ORDERING OPTIONS

FV2K-DCK-1x
OEM Production Set

- FV2K-DCK-1x Encoder Boards

*Note: Sony FCB-EV Series Camera Blocks and KEL ribbon cable sold separately**

FV2K-DCK-RPS
OEM Starter Kit

- FV2K-DCK-1x Encoder Boards
- Power Supply
- Software SDK
- Documentation
- Serial Cable
- KEL Cable

*Note: Sony FCB-EV Series Camera Block sold separately**

APPLICATIONS

- Inspection
- Security and Surveillance
- Industrial
- UAV and Drones
- Video Conferencing
- Customized Applications*



***Contact Z3 Technology for Customized Product Options**

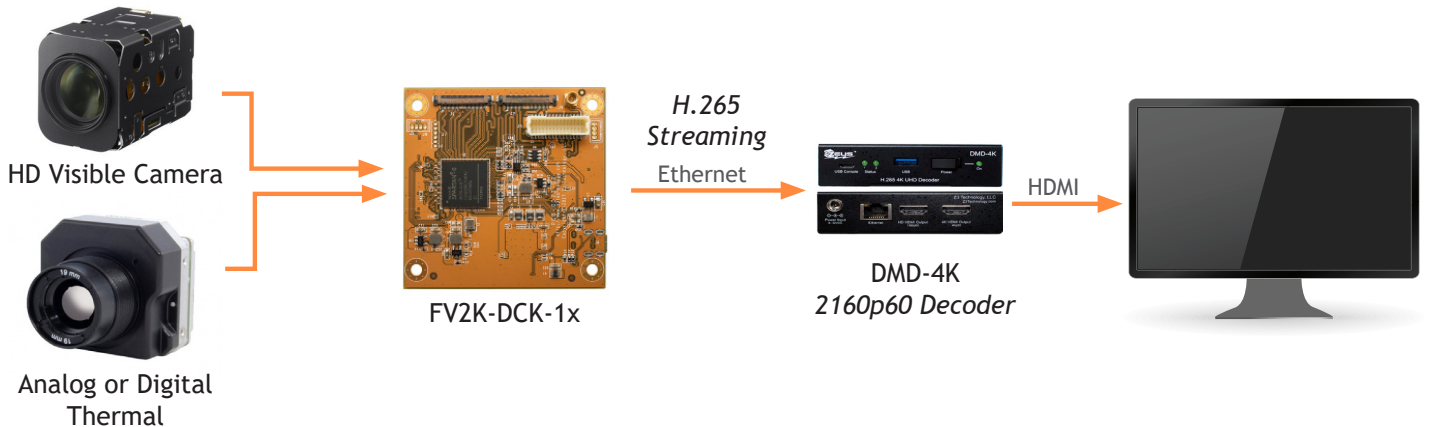
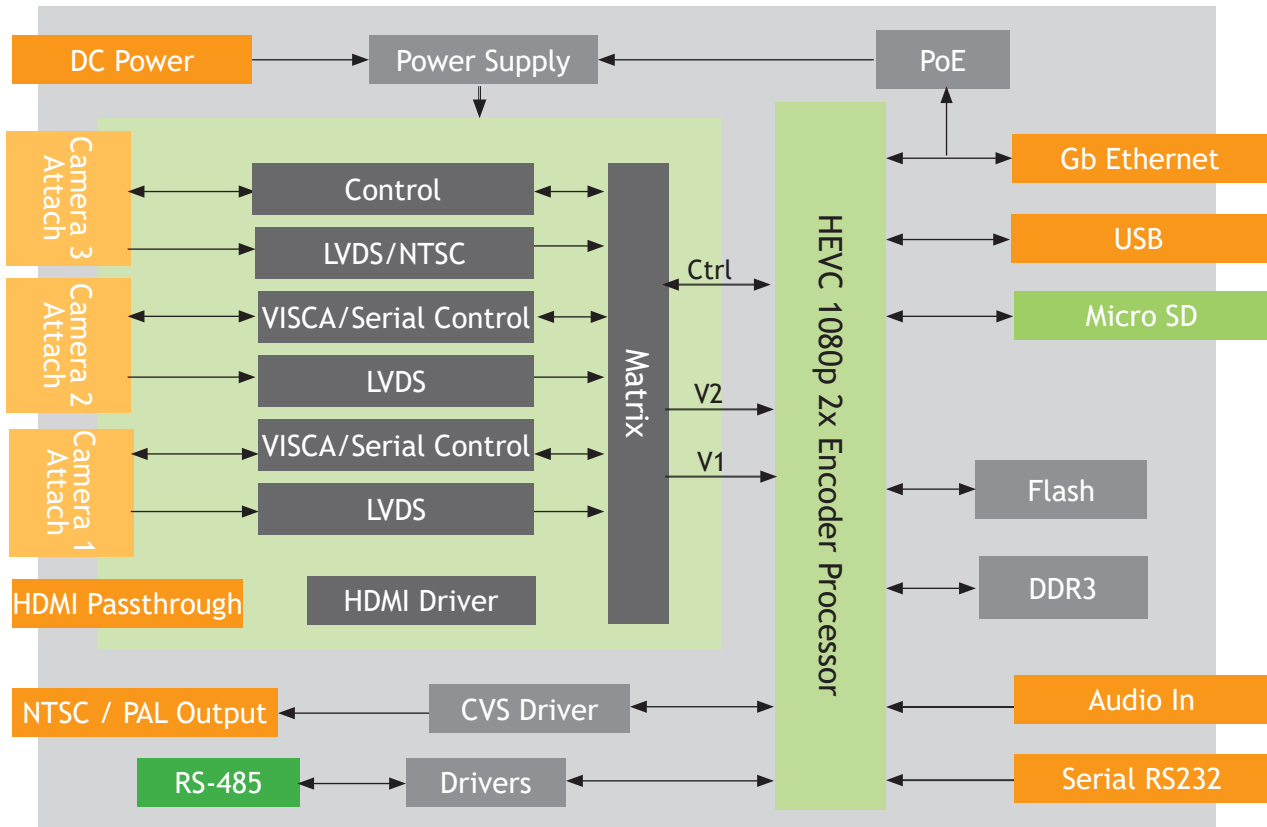
sales@Z3technology.com

+1.402.323.0702

www.Z3technology.com

HW Block Diagram

FV2K-DCK-1x Encoder (H.265 60fps x2)



***Contact Z³ Technology for Customized Product Options**
sales@Z3technology.com +1.402.323.0702 www.Z3technology.com



Z³ Technology is an industry-leading, USA-based manufacturer of production-ready embedded multimedia solutions and IP camera systems. From our founders to our world-class engineers to our sales and customer service team, we understand your requirements and speak your language. Our experience allows us to provide cost-effective solutions to meet your multimedia product requirements. With the assistance of our robust worldwide distribution and sales networks, we can provide a simple solution for your multimedia needs.

