

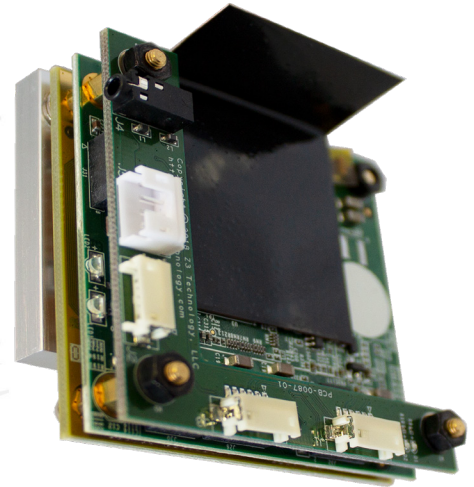


Lightweight HD Encoder

Designed for your UAV Visible Needs

HE2K-DCK-15Z

- Natively Integrates with the FCB-EV Series Sony Block Cameras
- Pass VISCA™ Camera Control Commands over IP, ONVIF® Profile S & T
- High Quality Efficient H.265/HEVC Video Encoding
- Lightweight for UAV & other weight constrained Applications



The HE2K-DCK-15Z is designed for UAV, inspection, surveillance, and industrial applications. The flexibility of the system allows for a HD camera to be connected to this light weight encoder. The hardware consists of a small 3-board set: Input, Encoder and Connector PCB. The system is capable of encoding H.265 and H.264 video in HD resolutions. The Input board features flexible digital and analog input ports. The encoder can be configured to stream over IP and simultaneously record to micro SD card. This compact design only uses 4.5 watts of power. The HE2K-DCK-15Z is preloaded with software for full functionality out-of-the-box.

Technical

Interfaces

•Visible Camera Formats	Sony FCB-EV Series Block Cameras
•Recording	Micro SD
•Additional Interfaces	100 Mbps Ethernet, RS-232, Micro-HDMI Passthrough

Video Codecs	H.265/HEVC, H.264 and MJPEG
--------------	-----------------------------

Encoding Resolutions	1080p and 720p @ 60, 59.94, 50, 30, 29.97, 25
----------------------	---

Output Formats	RTP, RTSP, MPEG-2 TS and RTMP
----------------	-------------------------------

Features

- Easy-to-Use HTTP/HTTPS web GUI with live video preview
- Pass VISCA™ Camera Control Commands over IP
- ONVIF® Profile S and T
- Simultaneous Stream and Record to Micro SD Card
- Overlay of GPS or NTP Data
- Pelco D PTZ Positioning
- Absolute PTZ Support
- Compatible with ZEUS® DMD-4K Video Decoder

Specifications

Encoder Board Size	58 x 58 mm (2.28 x 2.28 in)
Encoder Board Weight	60g (aluminum heat pipe is additional 40g)
Power Consumption	4.5W typical

ORDERING OPTIONS

HE2K-DCK-15Z OEM Production Set

- HE2K-DCK-15Z Encoder Boards

Note:

1. Sony FCB-EV Series Camera Blocks and KEL cable sold separately*
2. Power and Ethernet cables sold separately

APPLICATIONS

- UAV and Drones
- Inspection
- Security and Surveillance
- Industrial
- Customized Applications*



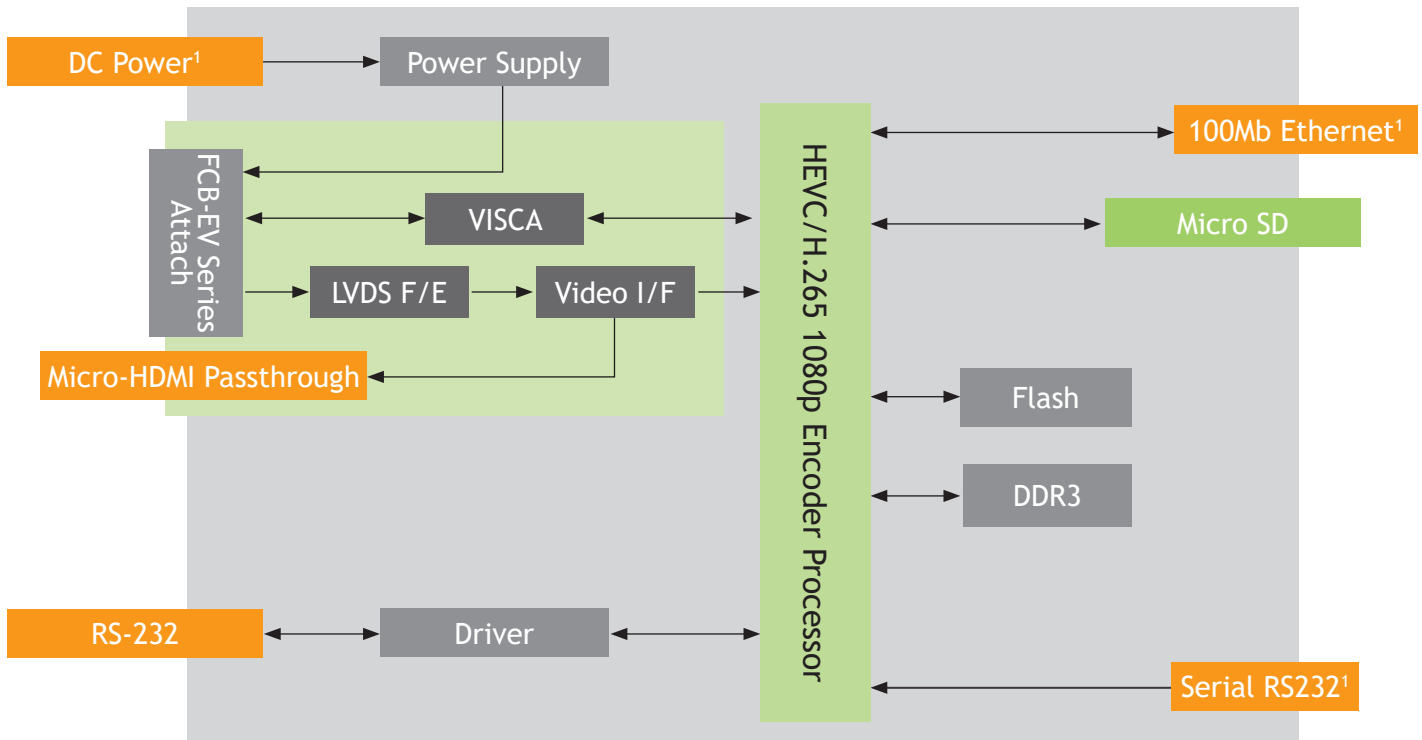
***Contact Z3 Technology for Customized Product Options**

sales@Z3technology.com

+1.402.323.0702

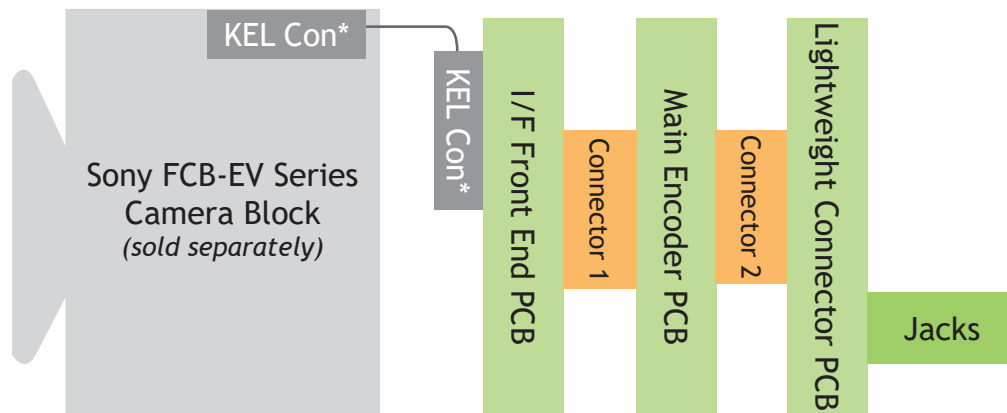
www.Z3technology.com

HE2K-DCK-15Z Encoder (H.265 1080p60)



¹Cables Sold Separately

HE2K-DCK-15Z Physical



*KEL ribbon cable sold separately

***Contact Z³ Technology for Customized Product Options**
sales@Z3technology.com +1.402.323.0702 www.Z3technology.com



Z³ Technology is an industry-leading, USA-based manufacturer of production-ready embedded multimedia solutions and IP camera systems. From our founders to our world-class engineers to our sales and customer service team, we understand your requirements and speak your language. Our experience allows us to provide cost-effective solutions to meet your multimedia product requirements. With the assistance of our robust worldwide distribution and sales networks, we can provide a simple solution for your multimedia needs.