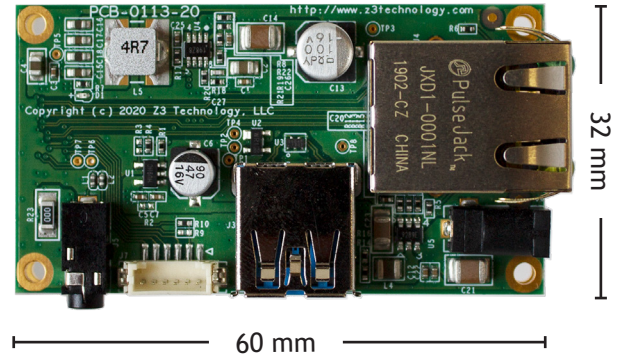




HE2K-MINI-RPS

The HE2K-MINI-RPS is a compact RPS system which supports H.265/HEVC, H.264, and MJPEG video in HD resolutions. The encoder features interfaces including a compatible Sony Block Camera or LVDS camera KEL connector, Micro-SD, serial, LVTTTL serial ports, USB 3.0, and GigE. These combined features create an ideal platform for UAV solutions, low-latency and low bit-rate streaming and many other video streaming and recording applications. This powerful, production-ready RPS system offers the latest in integrated processor technology combined with Z3 Technology's reputation for compact, production quality embedded modules and software solutions.



BENEFITS

- Simultaneous encode of H.265/HEVC and H.264
- Pass VISCA™ Camera Control Commands Over IP, ONVIF® Profile S and T
- Low Bandwidth, Low Latency Video Encoding
- Linux-based system, easy to customize if needed

APPLICATIONS

- UAV Solutions
- Medical Imaging
- Video Security and Surveillance
- Industrial Video
- Customized Applications*

***Contact Z3 Technology for Customized Product Options**

sales@Z3technology.com

+1.402.323.0702

www.Z3technology.com

Hardware

Module and App Board	HE2K-MINI-MOD + HE2K-MINI-APP
Processor	Dual core ARM@big-LITTLE, A17 and video acceleration hardware
Video Codecs	H.265/HEVC, H.264 and MJPEG
Expansion Interface	Low profile board to board connectors
Interfaces	KEL Connector ¹ , Micro-SD, 2.5mm serial, 2x LVTTTL Serial Ports, USB 3.0, 12V power, GigE
Audio Codecs	AAC-LC (MPEG-2 and MPEG-4 versions), AAC-HE and AAC-HEv2
Memory	128 MB NAND Flash, 1GB DDR3

Software

Operating System	Linux
Encoding Resolutions	60, 59.94, 50, 30, 29.97, 25 @1080p and 720p
Output Formats	RTP, RTSP, MPEG-2 TS (UDP), TSRTSP, RTMP, RTMPS
Features	<ul style="list-style-type: none"> • Integrates with Sony FCV-EV7520A Block Camera or compatible LVDS camera • Low Latency, Low Power • Pass VISCA™ Camera Control Commands over IP • ONVIF® Profile S & T Compliant • Send up to 2x 1080p60 streams • PELCO D PTZ Positioning • Simultaneous Stream & Record

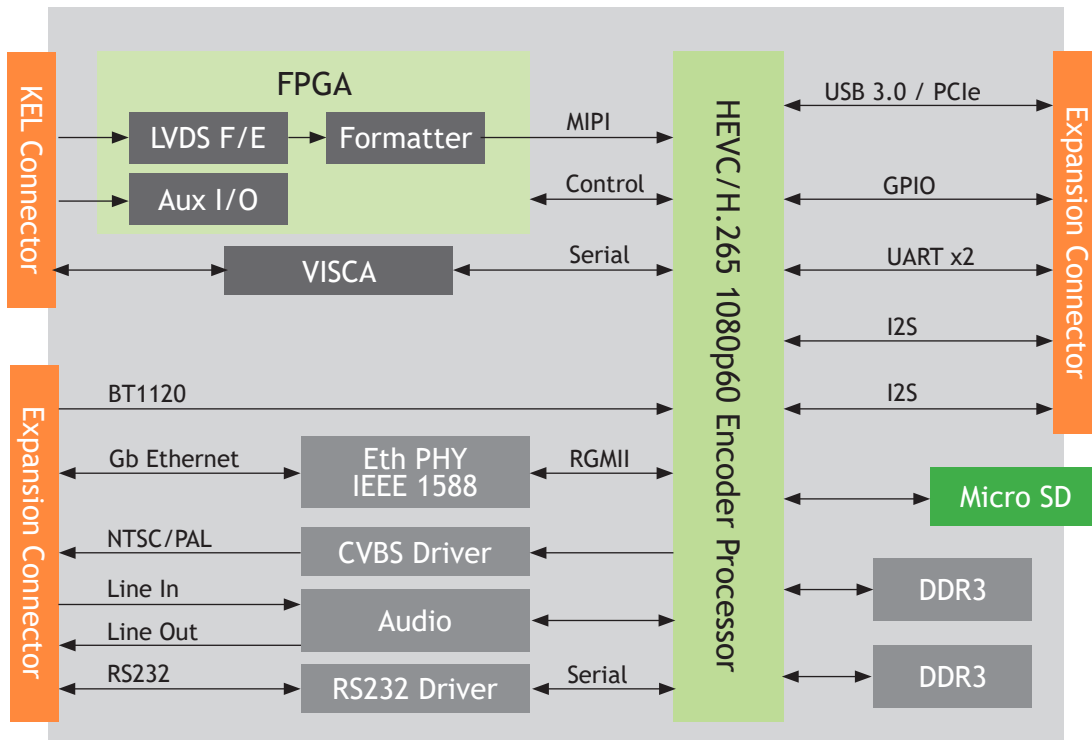
Specifications

Encoder Board Size	60 x 32 x 22 mm (2.36 x 1.26 x 0.87 in)
Encoder Weight	31g
Power Consumption	4.5W typical while encoding H.265/HEVC video in 1080p60
Power Supply	12V DC
Operating Temperature	-5°C to +70°C

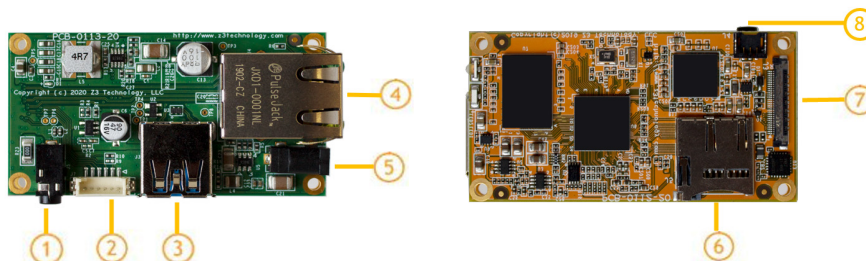
¹KEL ribbon cable sold separately



HE2K-MINI-RPS

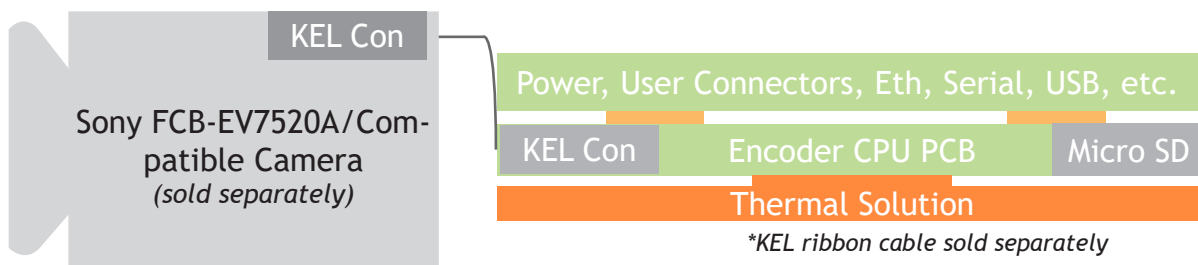


HE2K-MINI-RPS Interfaces Diagram



- 1: RS-232 Serial Port¹
- 2: LVTTTL Serial Ports
- 3: USB 3.0
- 4: GigE
- 5: 12V DC Power Input
- 6: Micro-SD Card
- 7: KEL Connector
- 8: Camera Power Connector

HE2K-MINI-RPS Physical



***Contact Z³ Technology for Customized Product Options**
sales@Z3technology.com +1.402.323.0702 www.Z3technology.com

