



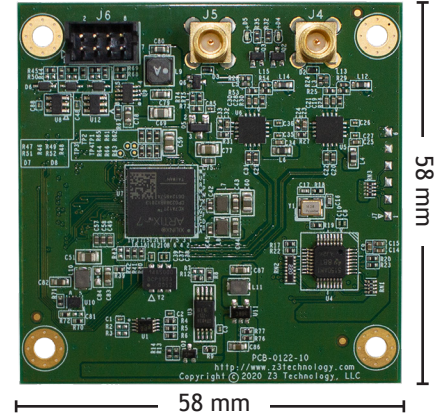
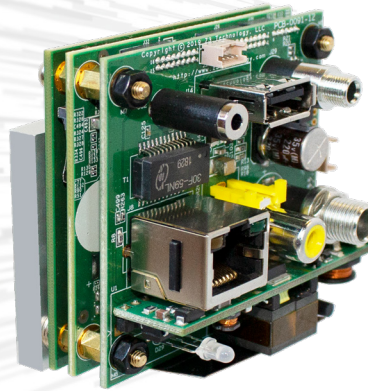
Z3
Technology®

Dual 3G-SDI Camera Encoder

Designed for your Visible & IR Monitoring Needs

FSDI2-DCK-13

- H.265/H.264 Dual Camera Video Streaming
- Dual 3G-SDI or Single 3G-SDI + Composite
- High Quality Low Latency Encoding
- Camera Control Commands over IP



The FSDI2-DCK-13 is designed for dual SDI camera inspection, surveillance, industrial and UAV applications. The flexibility of the system allows for two SDI cameras or a visible camera and an infrared or night vision camera. The hardware consists of a 3-board set: Input interface, Encoder and Connector PCB. The system is capable of encoding and streaming multiple channels of H.265 and H.264 video in HD resolutions. The Input interface board features flexible digital and analog input ports. The encoder can be configured to stream over IP and simultaneously record to USB or micro SD card.



Technical

Interfaces	<ul style="list-style-type: none"> • 2x 3G-SDI Input • 1x Composite Input
Visible Camera Formats	3G-SDI, NTSC/PAL/RS170*
HD and SD IR Formats	SD/HD/3G-SDI or NTSC/PAL/RS170*
Recording	USB or Micro SD
Additional Interfaces	PoE, GigE, Audio Input, RS-485, Composite Output, GPIO, I2C, RS-232
Video Codecs	H.265, H.264
Encoding Resolutions	1080p (up to 60fps), 720p, NTSC/PAL, VGA, CIF and QVGA
Output Formats	RTP, RTSP, MPEG-2 TS and RTMP <ul style="list-style-type: none"> • Low Latency, Low Power • Multiple serial connections available • Pass Camera Control Commands over IP • SRT Modes Supported: Caller, Sender, Rendezvous & SRT Encryption
Features	<ul style="list-style-type: none"> • Easy-to-Use HTTP-Based Control Interface • ONVIF® Profile S & T • Compatible with ZEUS® Video Decoders • Simultaneous Streaming and Recording • Video Image Preview in the Web Gui • KLV Asynchronous and Synchronous Support

Specifications

Encoder Board Size	58 x 58 mm (2.28 x 2.28 in)
Encoder Board Weight	105g (aluminum heat pipe is additional 40g)
Power Consumption	4.5W typical while encoding 2 cameras in H.265 video at 1080p60
Power Supply	12V DC
Operating Temperature	-5°C to +70°C

ORDERING OPTIONS

FSDI2-DCK-13

OEM Production Set

- FSDI2-DCK-13 Encoder Boards

Note: Camera and cables sold separately

FSDI2-DCK-13-RPS

OEM Starter Kit

- FSDI2-DCK-13 Encoder Boards
- Power Supply
- Software SDK
- Documentation
- Serial Cable
- 2x MCX to BNC Cable

Note: Camera Block sold separately

APPLICATIONS

Inspection

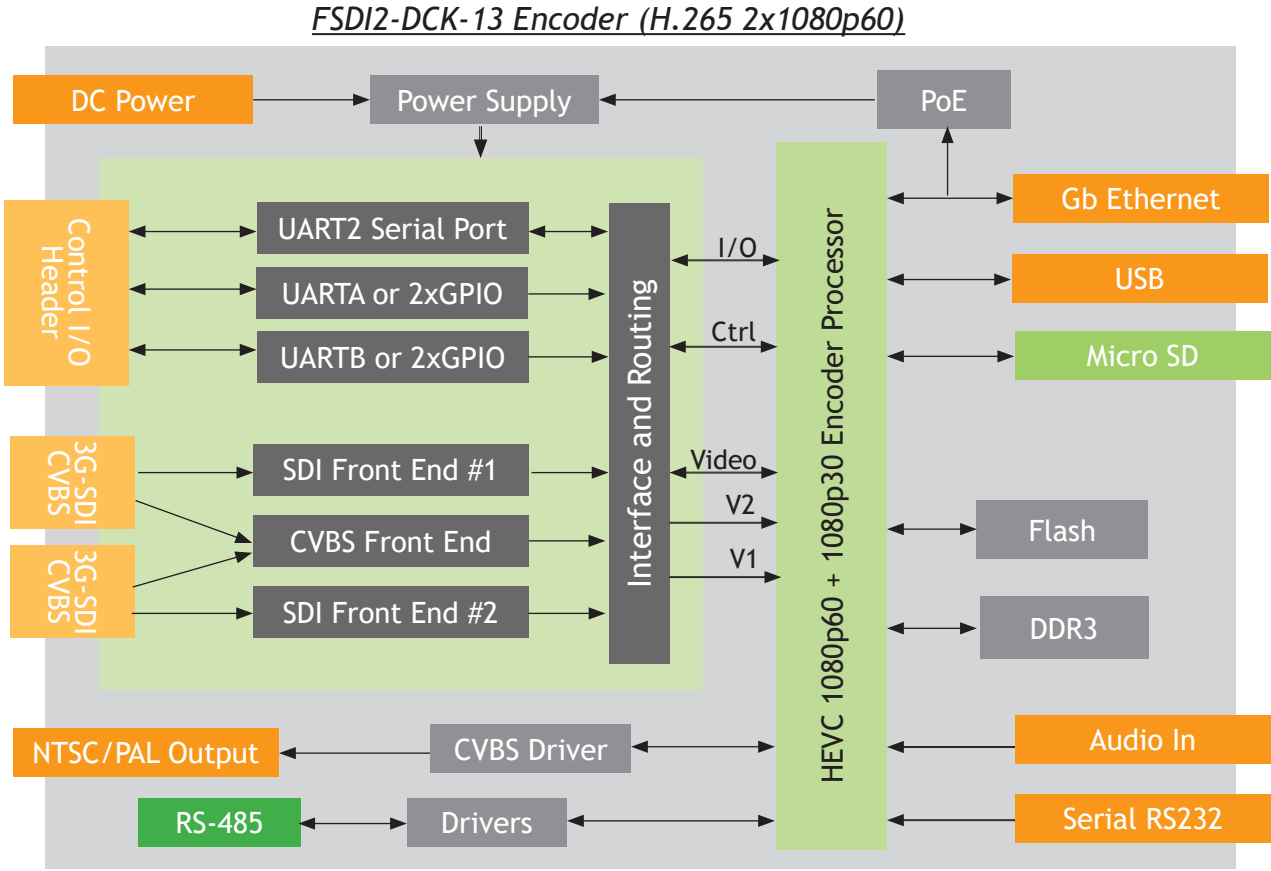
Security and Surveillance

Industrial

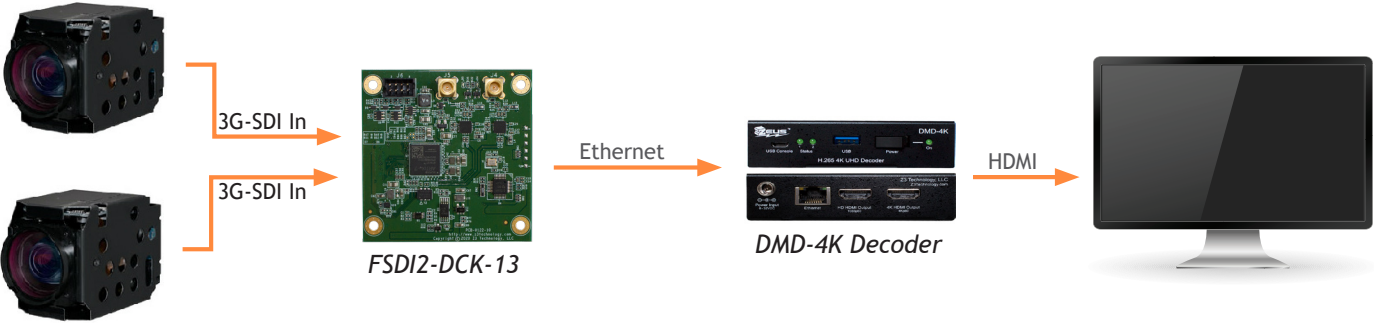
UAV and Drones

Customized Applications*

HW Block Diagram



Use Case



***Contact Z³ Technology for Customized Product Options**
sales@Z3technology.com +1.402.323.0702 www.Z3technology.com



Z³ Technology is an industry-leading, USA-based manufacturer of production-ready embedded multimedia solutions and IP camera systems. From our founders to our world-class engineers to our sales and customer service team, we understand your requirements and speak your language. Our experience allows us to provide cost-effective solutions to meet your multimedia product requirements. With the assistance of our robust worldwide distribution and sales networks, we can provide a simple solution for your multimedia needs.

