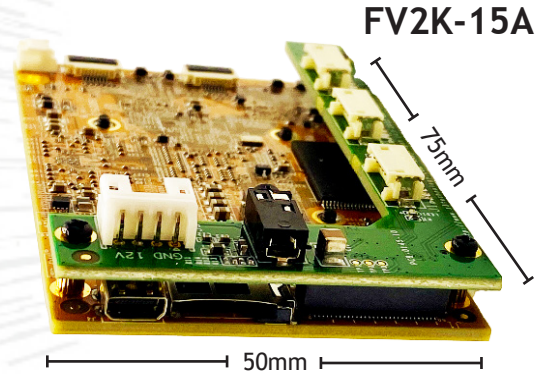




Lightweight Dual Camera Full HD Encoder

Designed for your UAV Visible & IR Needs

- Dual LVDS Camera Input or LVDS and a Composite Input
- High Quality Low Latency Encoding
- Transport Camera Control Controls over IP
- H.265 or H.264 Video Encoding, Streaming, and Recording
- Lightweight for UAV & other weight constrained Applications



The FV2K-15A is designed for dual camera unmanned system, inspection, surveillance, and industrial applications. The flexibility of the system allows for a visible camera and an infrared or night vision camera. The hardware consists of a small 2-board set: Input, Encoder and Connector PCB. The system is capable of encoding multiple channels of H.265 and H.264 video in HD resolutions. The Input board features flexible digital and analog input ports.

Technical

Interfaces

•Compatible Visible Cameras	Sony EV7520(A), EV9500L, EV9520L, KTNC* and Tamron*
•HD and SD IR Formats	LVDS*, NTSC/PAL/RS170*, Boson, Tau2, Tamarisk, Tenum
•Recording	To Micro SD or NFS
•Additional Interfaces	100 Mbps Ethernet, Micro-HDMI Passthrough, Composite Output, LVTTTL UART x 2 , GPIO x 2, Micro-SD card

Video Codecs H.265, H.264, MJPEG

Encoding Resolutions 1080p (up to 60fps), 720p, NTSC/PAL, VGA, CIF and QVGA

Output Formats RTP, RTSP, MPEG-2 TS, RTMP, TS-RTP, MP4, and TS-file

- Easy-to-Use HTTP/HTTPS web GUI with live video preview
- Send VISCA and IR Camera Controls over IP with Web Gui or Serial Camera Controls
- Simultaneous Streaming and Recording to NFS or Micro-SD Card
- ONVIF® Profile S and T
- Embedded KLV Metadata Support Via Serial, MISB 0601 Compliant
- High Precision Timestamps Across Multiple Streams, MISB 0604 Compliant
- Multiline text Overlay via the Web Gui or the API
- Logo or Image overlay via the API
- NMEA GPS Overlay
- Region of Interest: Configurable Field of View

Features

Specifications

Encoder Board Size	75 x 50 x 13 mm (2.95 x 1.97 x .51 in)
Encoder Board Weight	32g (Heat pipe is additional 10g)
Power	12V Power, Typical power consumption is 4.5w while encoding 2 cameras with H.265 video at 1080p60



ORDERING OPTIONS

FV2K-15A-RPS OEM STARTER KIT

- FV2K-15A Encoder Boards
- Software SDK
- (2) KEL Cables
- 12V Power Supply
- Serial Cable and Null Modem Adapter
- CBL-0048-01; 4 pin Encoder Power Cable
- CBL-0047-01; 4 pin Encoder Ethernet Cable

FV2K-15A OEM Production Set

- FV2K-15A Encoder Boards
- 1. Camera Blocks and cables sold separately*

- ## APPLICATIONS
- Unmanned Systems
 - Inspection
 - Security and Surveillance
 - Industrial
 - Customized Applications*

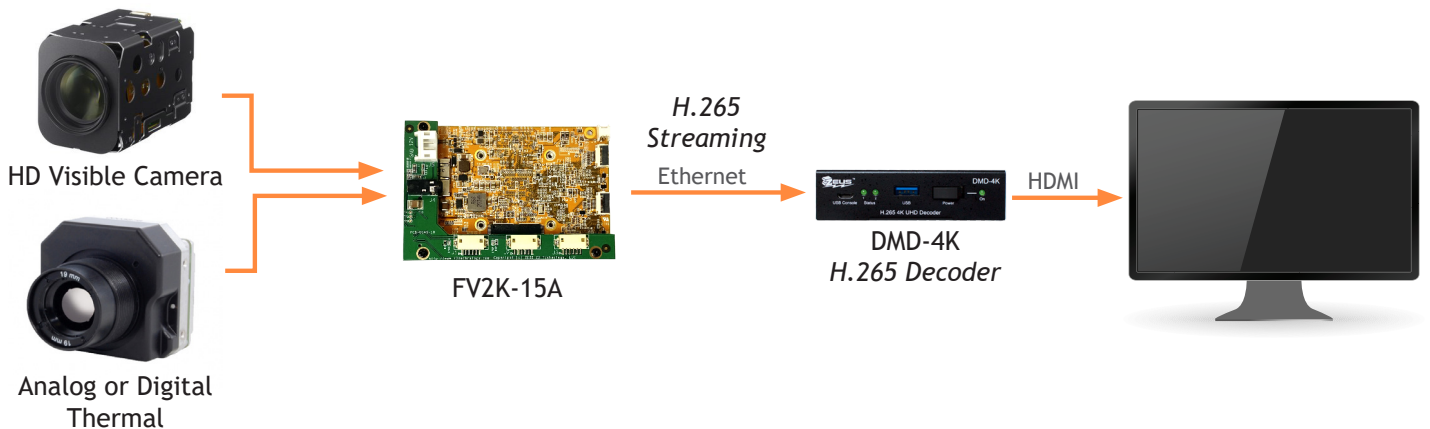
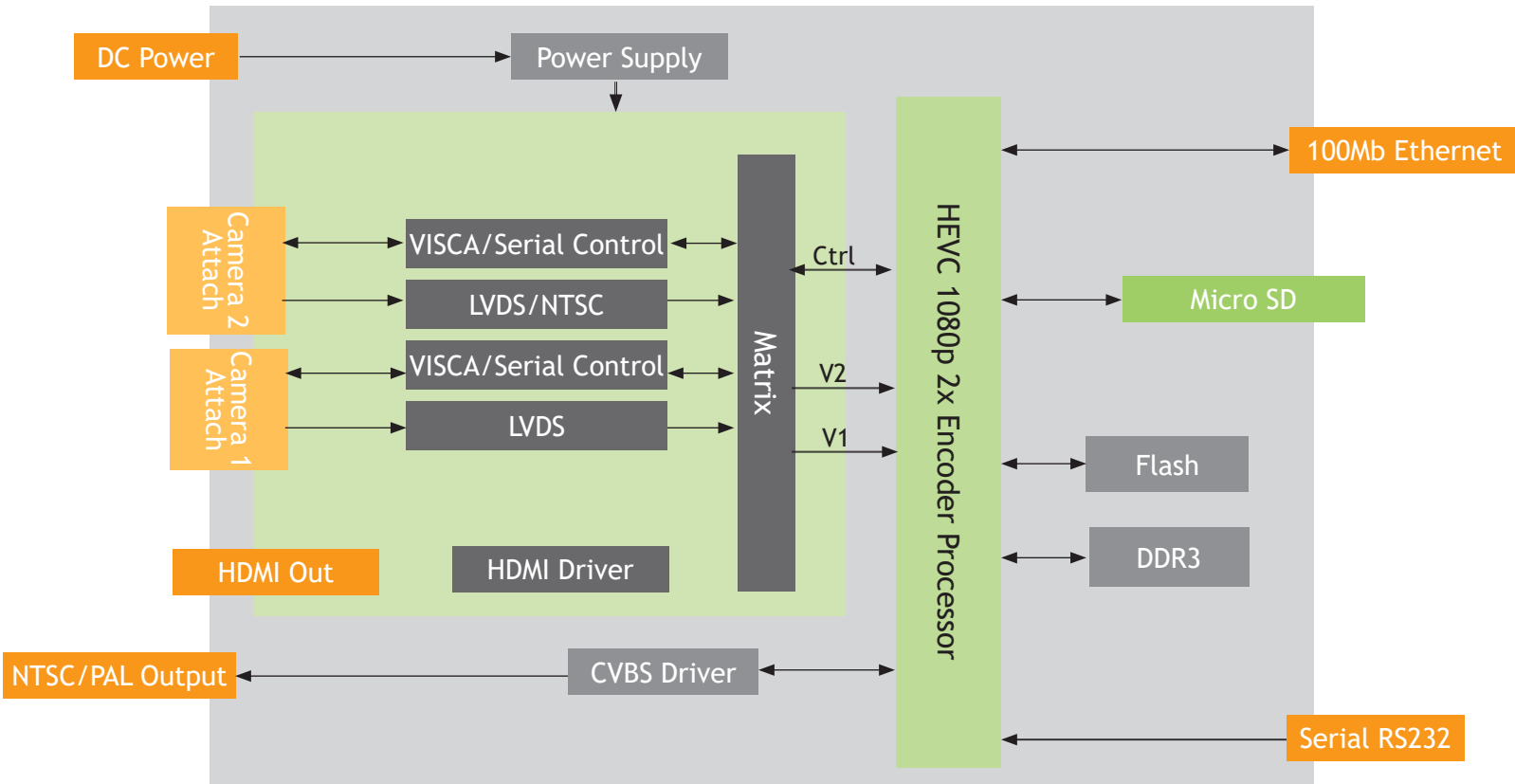
***Contact Z3 Technology for Customized Product Options**

sales@Z3technology.com

+1.402.323.0702

www.Z3technology.com

FV2K-15A Encoder (1080p60 x2)



***Contact Z³ Technology for Customized Product Options**
sales@Z3technology.com +1.402.323.0702 www.Z3technology.com



Z³ Technology is an industry-leading, USA-based manufacturer of production-ready embedded multimedia solutions and IP camera systems. From our founders to our world-class engineers to our sales and customer service team, we understand your requirements and speak your language. Our experience allows us to provide cost-effective solutions to meet your multimedia product requirements. With the assistance of our robust worldwide distribution and sales networks, we can provide a simple solution for your multimedia needs.