

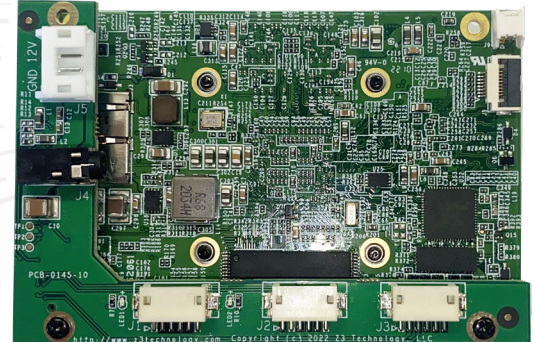


Lightweight Dual Camera Full 4K Encoder

FV4K-15A

- H.265/H.264 Dual Camera Video Streaming
- Interfaces with HDMI, LVDS, and Composite cameras
- High Quality Low Latency Encoding
- Pass Camera Control Commands over IP
- ONVIF Profile S and T Compliant

The FV4K-15A is designed for dual camera inspection surveillance, industrial or UAV applications. The encoder supports both H.265 and H.264 encoding for visible and thermal cameras. The dual camera encoding allows for a 4K HDMI camera and a second LVDS or Composite Camera to be streamed from the encoder. The encoder can simultaneously stream and record video to either a Network File System, USB or Micro SD card. Controls are through the web user interface, Serial/SSH, the API or ONVIF. Additional processing is supported within the system to allow for Overlays on the video or data to be sent in the data stream.



Technical

Interfaces

•Visible Camera Formats	Sony FCB-ER8530, FCB-EW9500H and Micro HDMI
•HD and SD IR Formats	RS170, NTSC/PAL and LVDS
•Recording	To either Micro SD or NFS
•Additional Interfaces	100 Mbps Ethernet, RS-232, Micro-HDMI Passthrough, Composite Output, LVTTL UART x 2 , GPIO x 2, Micro-SD card

Video Codecs	H.265 & H.264
Encoding Resolutions	4Kp30, 1080p (up to 60fps), 720p, NTSC/PAL, VGA, CIF and QVGA
Output Formats	RTP, RTSP, MPEG-2 TS and RTMP

Features

- Lightweight, Low Latency, Low Power
- Easy-to-Use HTTP/HTTPS web GUI with live video preview
- Pass VISCA™ Camera Control Commands over IP
- ONVIF® Profile S and T
- Simultaneous Stream and Record
- Overlay of GPS or NTP Data
- SRT Modes Supported: Caller, Sender, Rendezvous & SRT Encryption
- Absolute PTZ Support
- Compatible with ZEUS® DMD-4K Video Decoder
- Timestamp and KLV support through overlay or SEI data

Specifications

Encoder Board Size	75 x 50 x 33 mm (2.95 x 1.97 x 1.30 in)
Encoder Board Weight	61g (aluminum heat pipe is additional 42g)
Power Consumption	4.5W
Power Supply	12V Power

ORDERING OPTIONS

FV4K-15A OEM Production Set

- FV4K-15A Encoder Boards

*Note: Camera blocks and cables sold separately**

*Note: Power and Ethernet cables sold separately**

FV4K-15A-RPS OEM Starter Kit

- FV4K-15A Encoder Boards
- Power Supply
- Software SDK
- Documentation
- Serial Cable
- (2) KEL Cables

*Note: Camera block sold separately**

APPLICATIONS

UAV and Drones
 Inspection Security & Surveillance
 Industrial
 Customized Applications*



*Contact Z3 Technology for Customized Product Options

sales@Z3technology.com

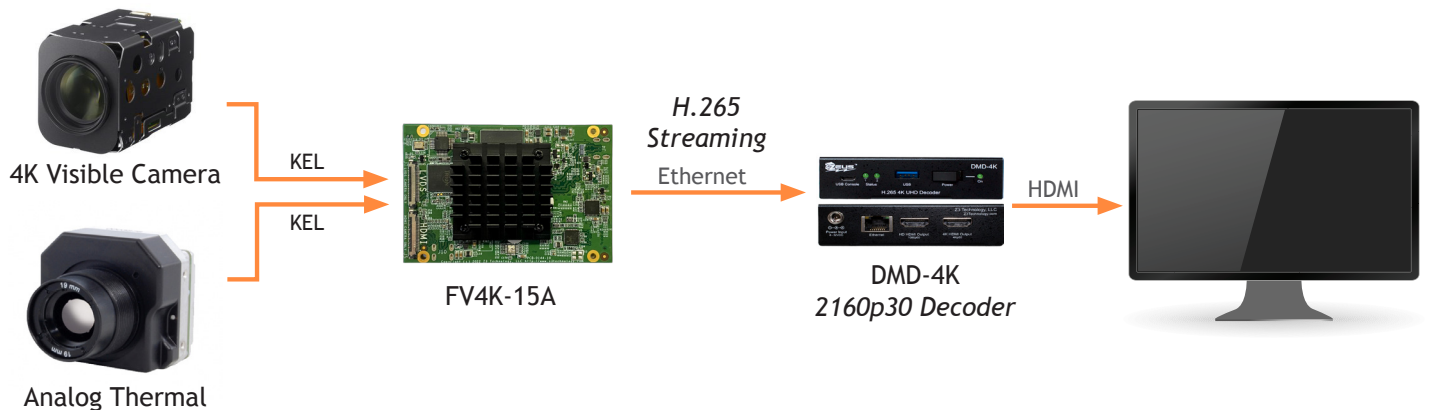
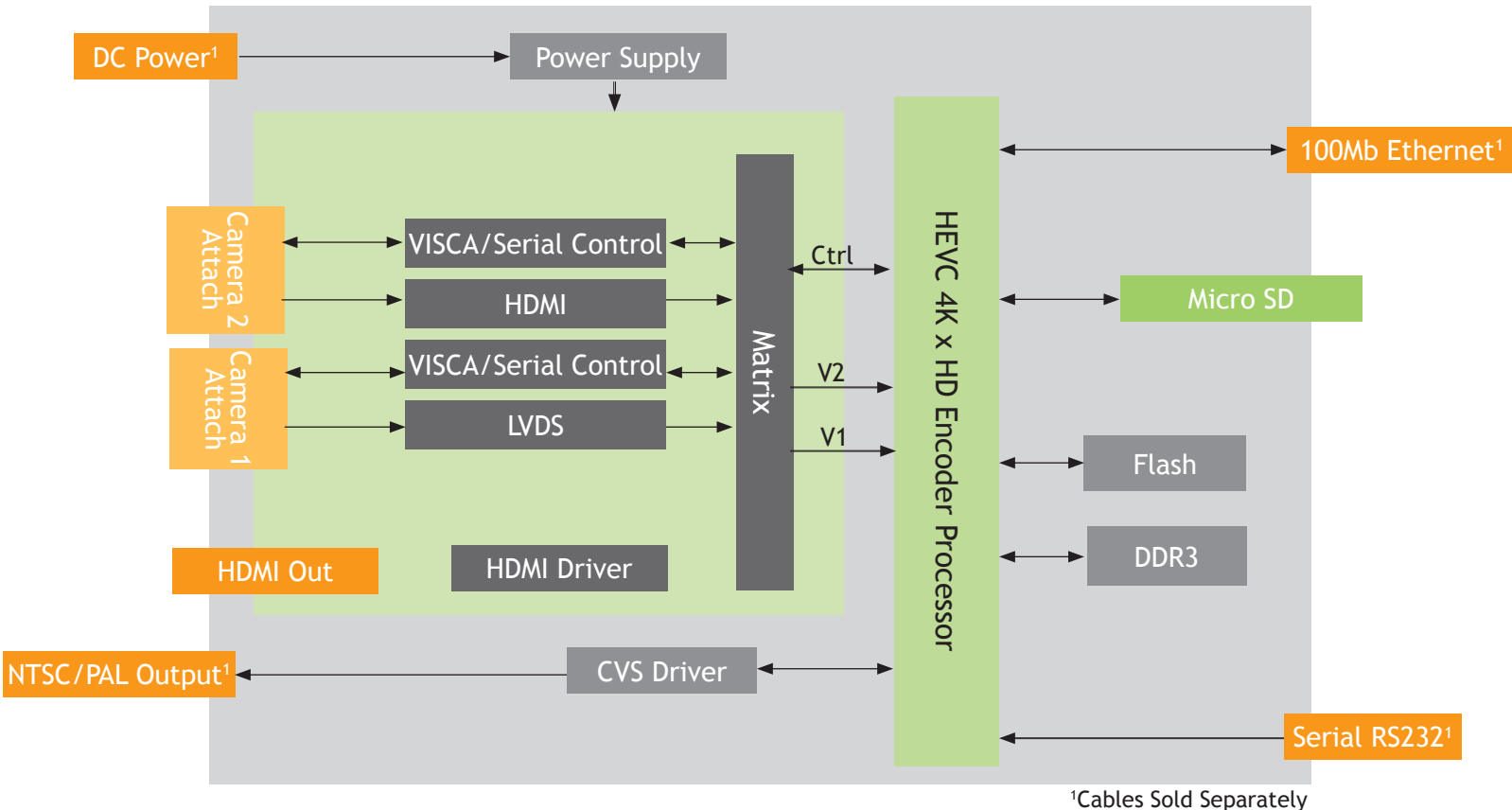
+1.402.323.0702

www.Z3technology.com

HW Block Diagram

FV4K-15A

FV4K-15A Encoder (H.265 4K x HD)



***Contact Z³ Technology for Customized Product Options**
sales@Z3technology.com +1.402.323.0702 www.Z3technology.com



Z³ Technology is an industry-leading, USA-based manufacturer of production-ready embedded multimedia solutions and IP camera systems. From our founders to our world-class engineers to our sales and customer service team, we understand your requirements and speak your language. Our experience allows us to provide cost-effective solutions to meet your multimedia product requirements. With the assistance of our robust worldwide distribution and sales networks, we can provide a simple solution for your multimedia needs.

